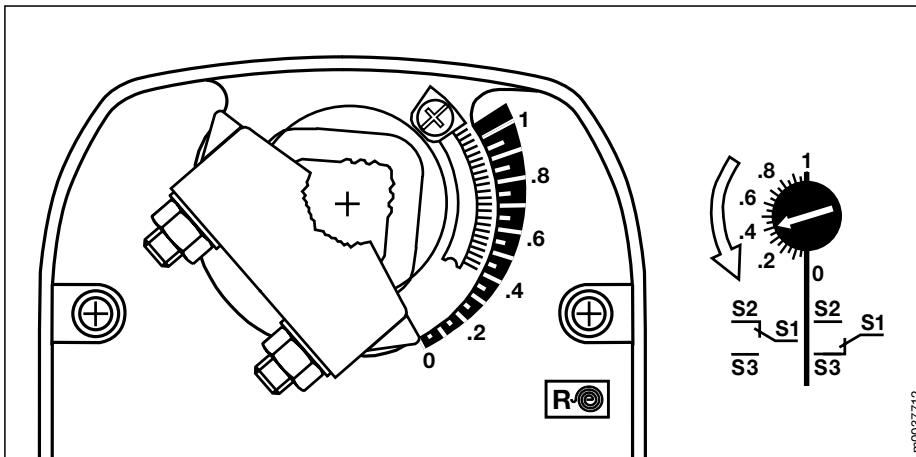


Mounting side R

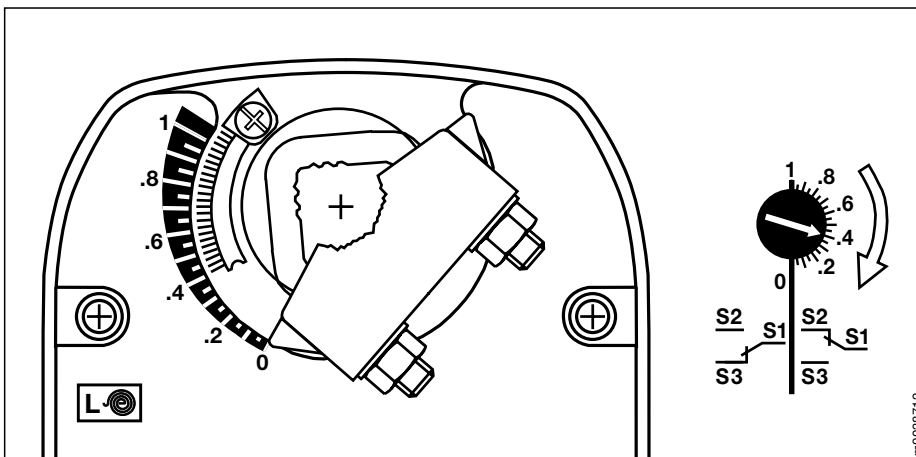


Starting point:
Actuator in safe position

Procedure

- Turn the knob of the auxiliary switch until the tip of the arrow is pointing to the required switching position (see left).
Example: Switching point setting = .4 corresponds to 40% angle of rotation.
- When the actuator runs to the operating position (ccw ↺), the switch knob will also rotate counter-clockwise (ccw ↺) and the auxiliary switch will operate as the tip of the arrow passes the scale zero (S1-S3 linked).

Mounting side L



Starting point:
Actuator in safe position

Procedure

- Turn the knob of the auxiliary switch until the tip of the arrow is pointing to the required switching position (see left).
Example: Switching point setting = .4 corresponds to 40% angle of rotation.
- When the actuator runs to the operating position (cw ↻), the switch knob will also rotate clockwise (cw ↻) and the auxiliary switch will operate as the tip of the arrow passes the scale zero (S1-S3 linked).