

m0047712

Flat mounting (fig. 1)

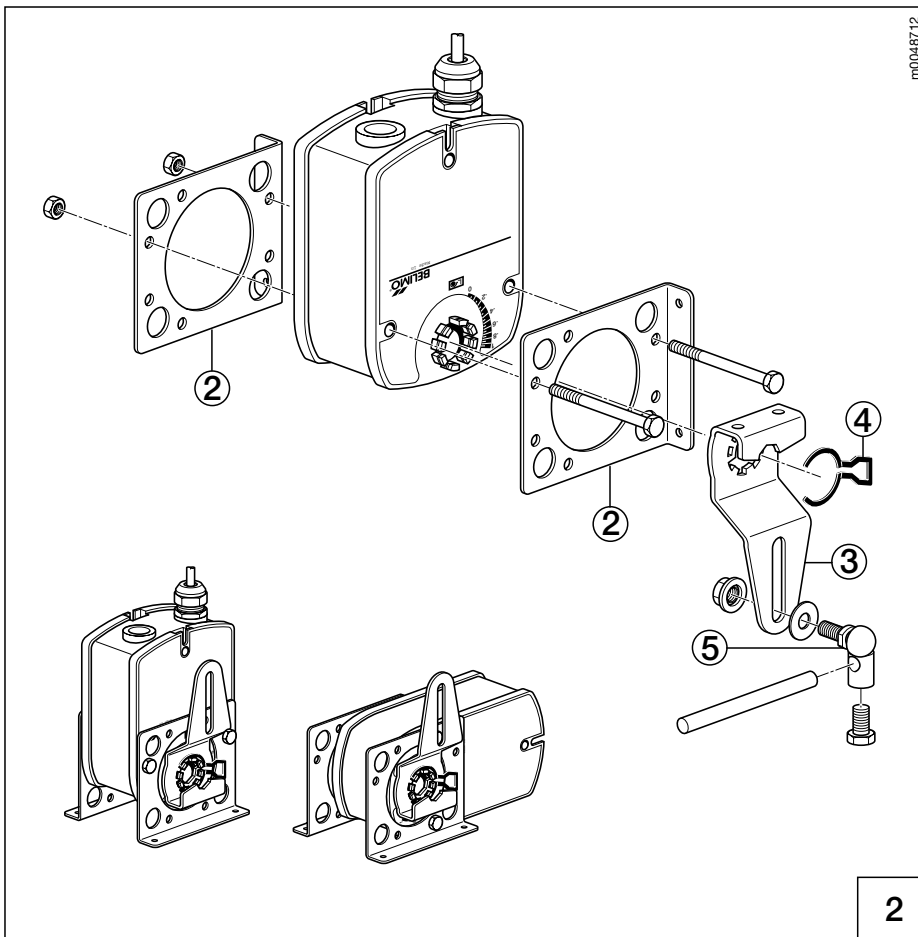
Kit specification ZG-LF1

- ① 1 mounting bracket LF
- ③ 1 crank arm ½"
- ④ 1 circlip LF
- ⑤ 2 ball joints KG8

- 3 screws M6 x 67
- 3 nuts M6
- 3 self-tapping screws 4.2 x 13

1

⑥ Universal crank arm:
order separately, not included with the
ZG-LF... mounting accessory.



m0048712

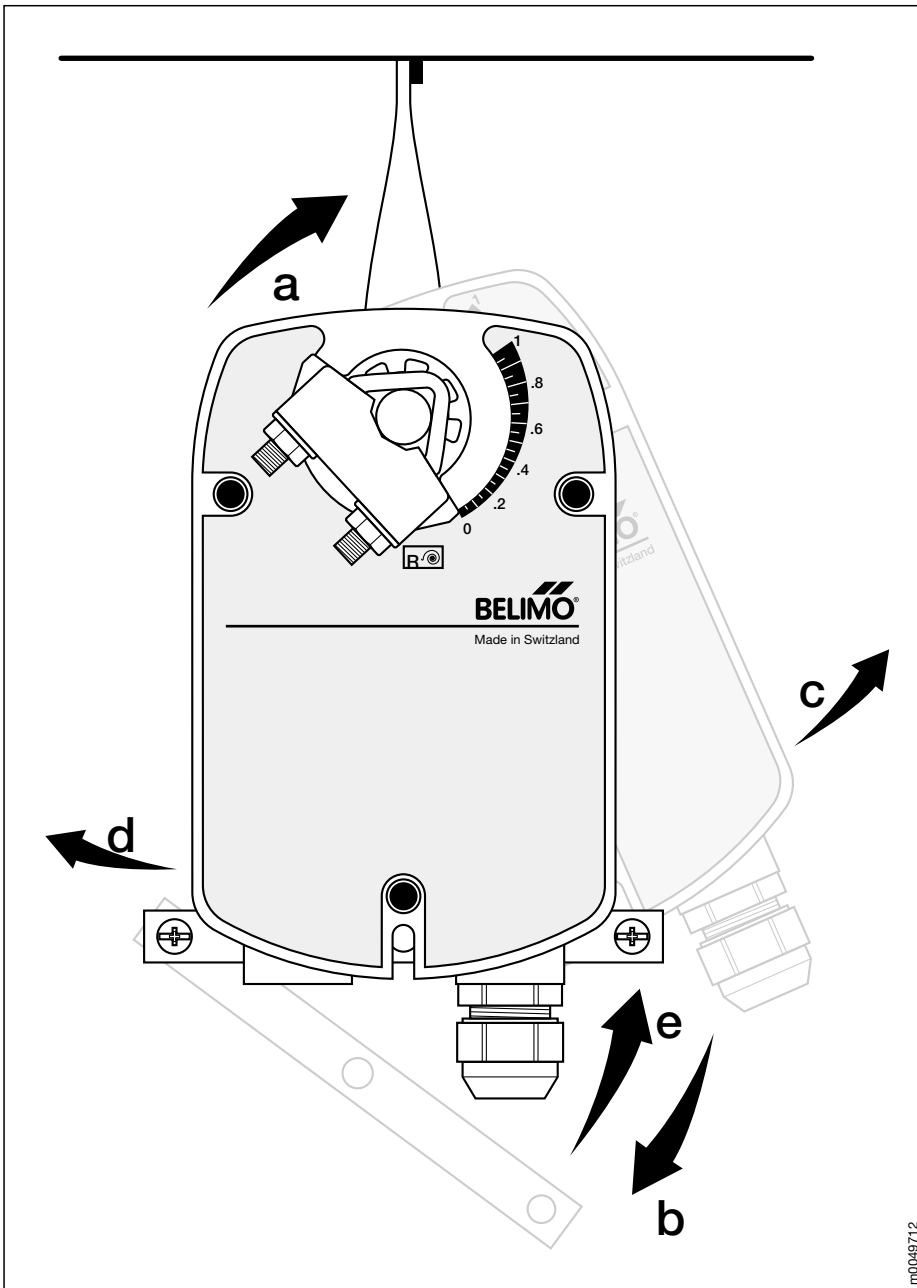
Side mounting (fig. 2)

Kit specification ZG-LF3

- ② 2 mounting brackets LF
- ③ 1 crank arm ½"
- ④ 1 circlip LF
- ⑤ 2 ball joints KG8

- 2 screws M6 x 67
- 2 nuts M6
- 4 self-tapping screws 4.2 x 13

2



**Installation steps
as example**

1. Move damper blades to the fail-safe position (a) and determine the orientation of the universal clamp.
2. Engage the actuator on the shaft as close as possible to the determined orientation. Fix the screws lightly on the V-bracket by hand. In the example the spring return has to go clockwise (cw). Therefore the actuator has to be visible with the mounting side **R**.
3. Mount the universal mounting bracket in the right position (do not tighten the screws).
4. Remove the screw at one end of the mounting bracket and pivot it away from the actuator (b).
5. Loosen the universal clamp and, making sure not to move the damper shaft, rotate the actuator approximately 5° in the direction which would open the damper (c).
6. Tighten the universal clamp to the shaft (10 mm wrench).
7. Rotate the actuator “damper closed” to apply pressure to the damper seals (d).
8. Rotate the mounting bracket in the definitive position (e) and tighten all fasteners.

m0049712