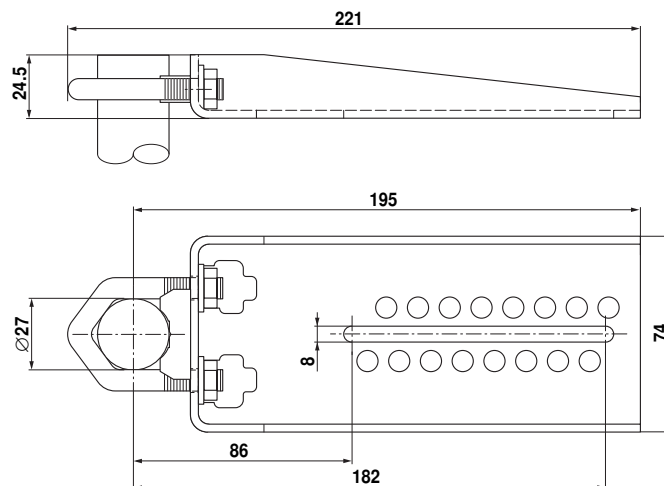
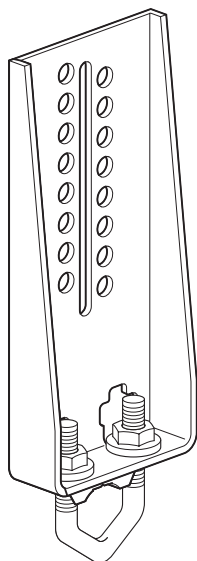


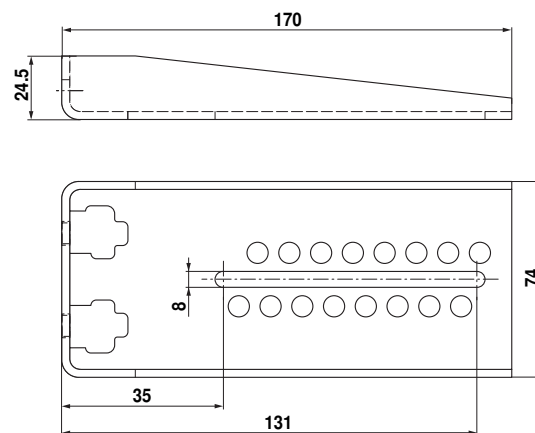
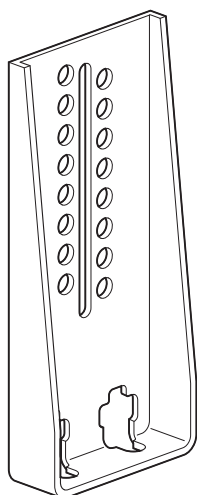
Damper crank arm KH10

- For damper spindles
- Galvanized steel
- Clamping range \varnothing 14 ... 26 mm
- Slot width 8 mm

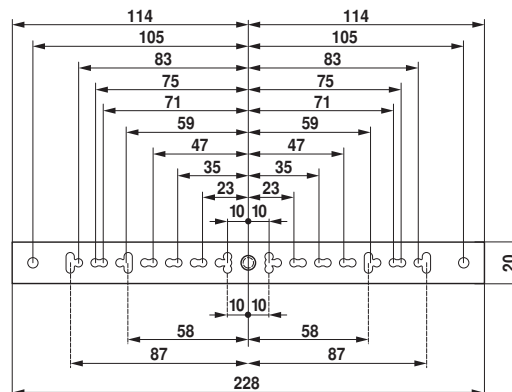
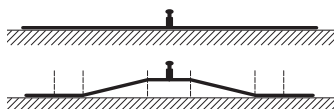
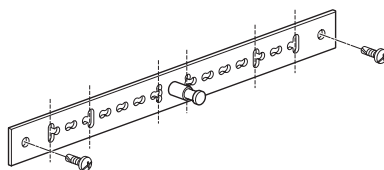


Actuator crank arm AH-GMA

- For reversible spindle clamp K-SA
- Slot width 8 mm
- Galvanized steel



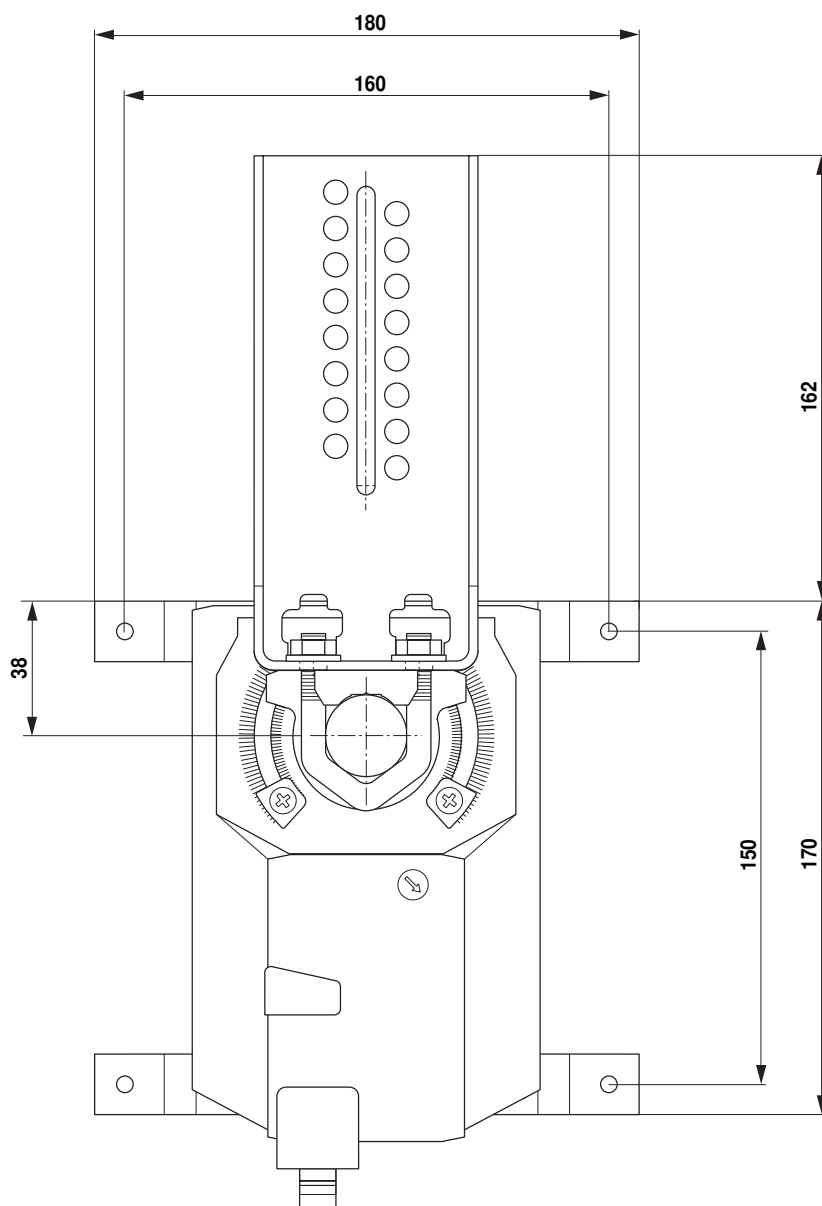
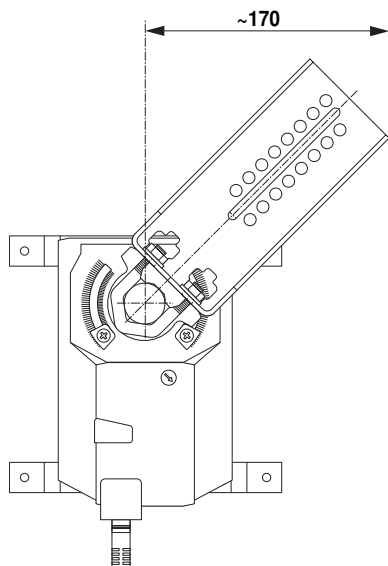
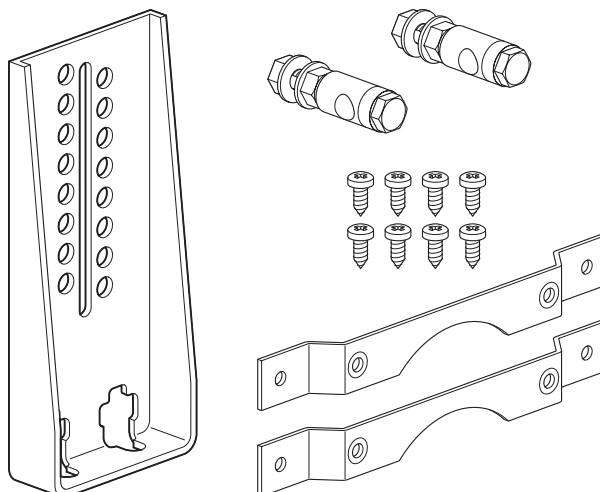
Anti-rotation strap Z-ARS230



Packaging unit: 20 pieces

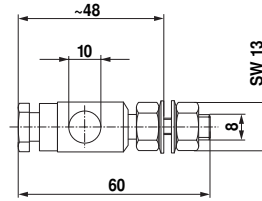
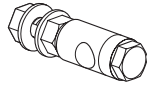
Mounting kit for damper linkage ZG-GMA

- For flat mounting



Ball joint KG10A

- Suitable for KH8 damper crank arms
- For round steel rod with \varnothing 10 mm
- Galvanized steel

**Position indication Z-PI**

Packaging unit: 20 pieces