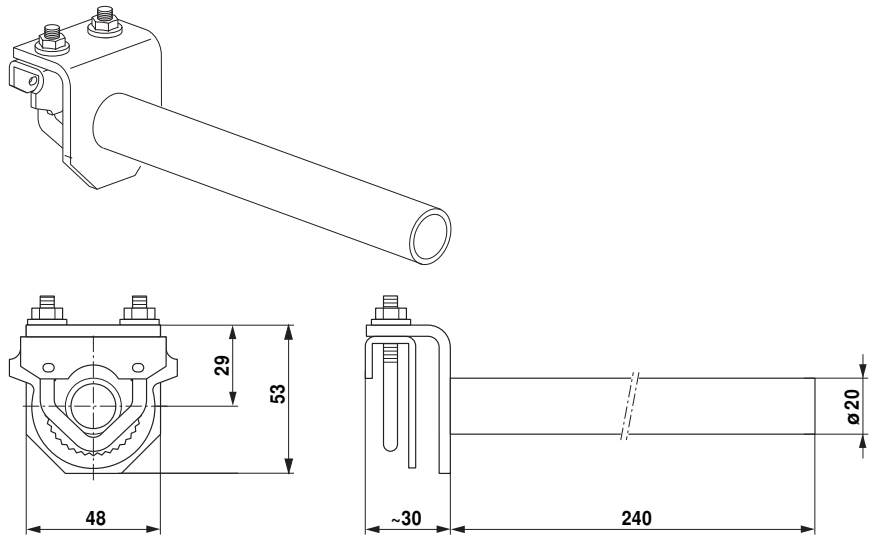
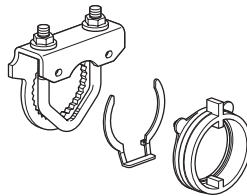


Shaft extension AV8-25

- Length approx. 250 mm
- For damper spindles \varnothing 10 ... 25 mm
- \varnothing Extension 20 mm


Single side spindle clamp K-ENSA

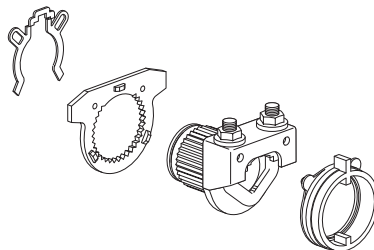
- For damper spindle \varnothing 10 ... 26 mm



Packaging unit: 20 pieces

Reversible spindle clamp K-SA

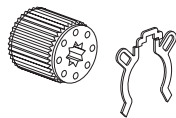
- For damper spindles \varnothing 10 ... 20 mm



Packaging unit: 20 pieces

Form-fit adapters ZF..-NSA

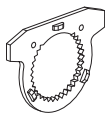
Article number	Shaft dimensions
• ZF10-NSA	10 x 10 mm
• ZF12-NSA	12 x 12 mm
• ZF16-NSA	16 x 16 mm



Packaging unit: 20 pieces

Angel of rotation limiter

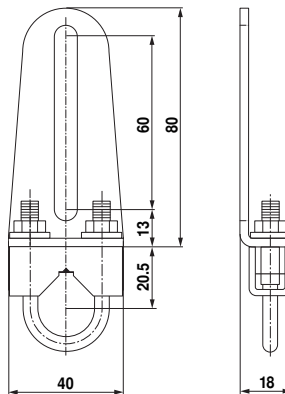
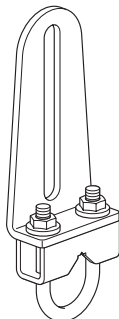
- For form-fit adapter
- For reversible spindle clamp K-NA



Article number 20334-00001

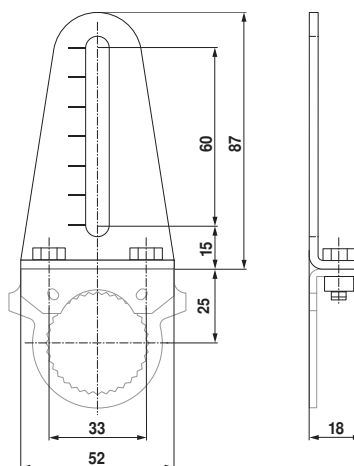
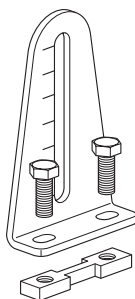
Damper crank arm KH8

- For damper spindles
- Galvanized steel
- Clamping range \varnothing 10 ... 18 mm
- Slot width 8.2 mm

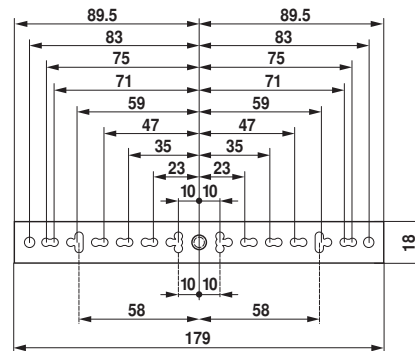
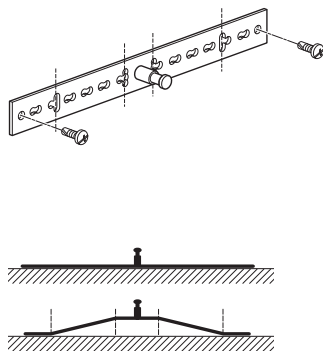


Actuator crank arm AH-25

- For standard spindle clamp (single side) K-ENSA
- Slot width 8.2 mm
- Galvanized steel



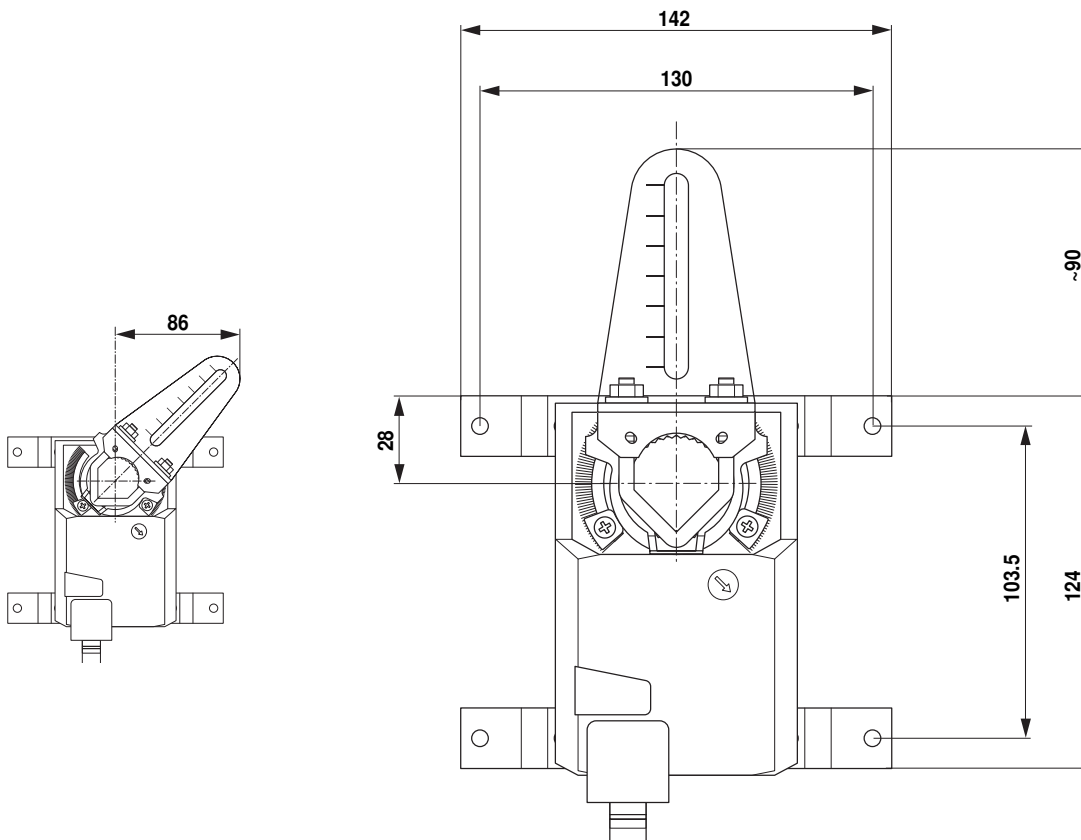
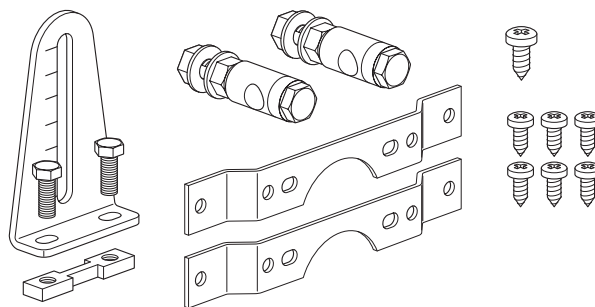
Anti-rotation strap Z-ARS180



Packaging unit: 20 pieces

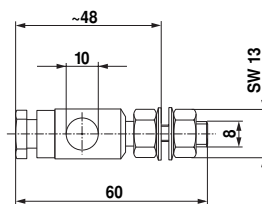
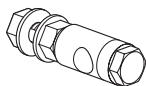
Mounting kit for damper linkage ZG-NMA

- For flat mounting

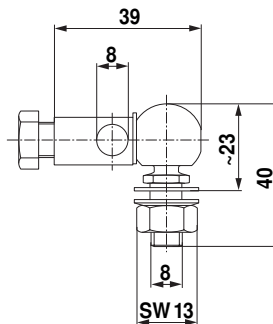
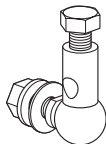


Ball joint KG10A

- Suitable for KH8 damper crank arms
- For round steel rod with \varnothing 10 mm
- Galvanized steel

**Ball joint KG8**

- Suitable for KH8 damper crank arms
- For round steel rod with \varnothing 8 mm
- Galvanized steel

**Position indication Z-PI**

Packaging unit: 20 pieces