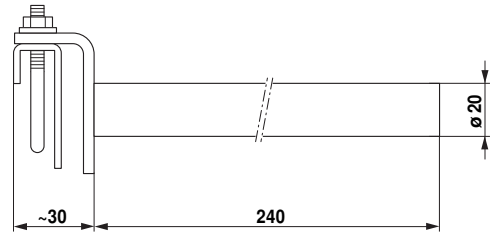
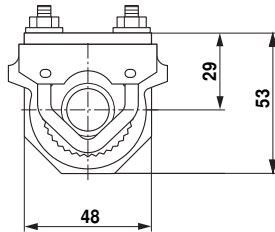
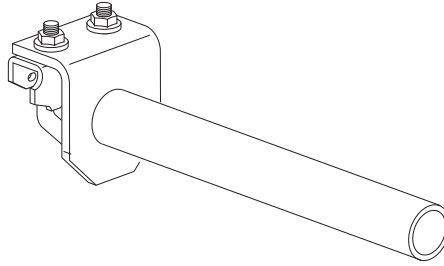
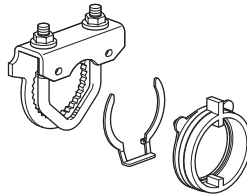


**Shaft extension AV8-25**

- Length approx. 250 mm
- For damper spindles  $\varnothing$  8 ... 25 mm
- $\varnothing$  Extension 20 mm


**Single side spindle clamp K-ENSA**

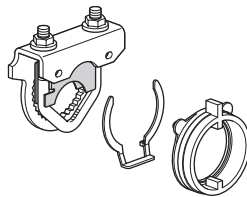
- For damper spindles  $\varnothing$  8 ... 26 mm



Packaging unit: 20 pieces

**Single side spindle clamp K-ENMA**

- For damper spindles  $\varnothing$  8 ... 26 mm
- With insert

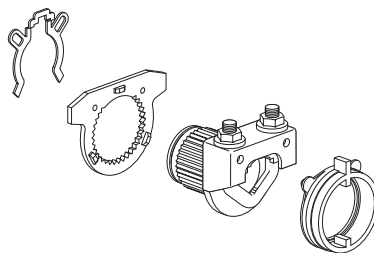


Packaging unit: 20 pieces

$\varnothing \geq 10.0$ mm	$\varnothing \geq 16.0$ mm	$\varnothing \geq 8.0$ mm
$\oplus 12.7$ mm 1/2"	$\oplus 19.0$ mm 3/4"	$\oplus 25.4$ mm 1"
$\varnothing \leq 18.0$ mm	$\varnothing \leq 22.0$ mm	$\varnothing \leq 26.7$ mm

**Reversible spindle clamp K-NA**

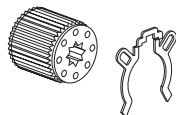
- For damper spindles  $\varnothing$  8 ... 20 mm



Packaging unit: 20 pieces

**Form-fit adapters ZF..-N..A**

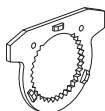
Article number	Shaft dimensions
• ZF8-NMA	8 x 8 mm
• ZF10-NSA	10 x 10 mm
• ZF12-NSA	12 x 12 mm
• ZF16-NSA	16 x 16 mm



Packaging unit: 20 pieces

**Angel of rotation limiter**

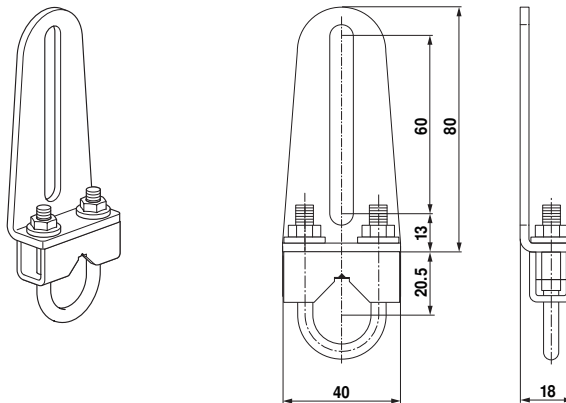
- For form-fit adapter
- For reversible spindle clamp K-NA



Article number 20334-00001

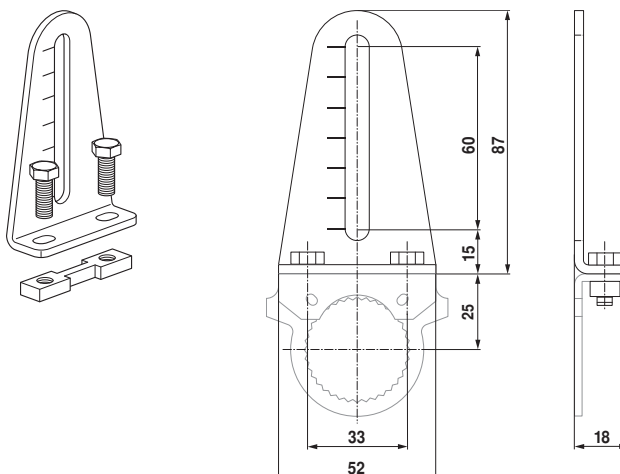
**Damper crank arm KH8**

- For damper spindles
- Galvanized steel
- Clamping range  $\varnothing$  10 ... 18 mm
- Slot width 8.2 mm

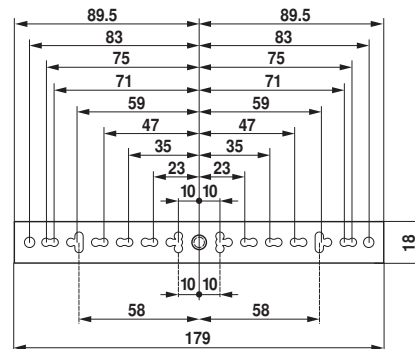
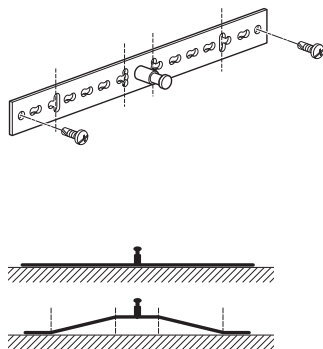


**Actuator crank arm AH-25**

- For spindle clamp (single side) K-ENSA
- Slot width 8.2 mm
- Galvanized steel



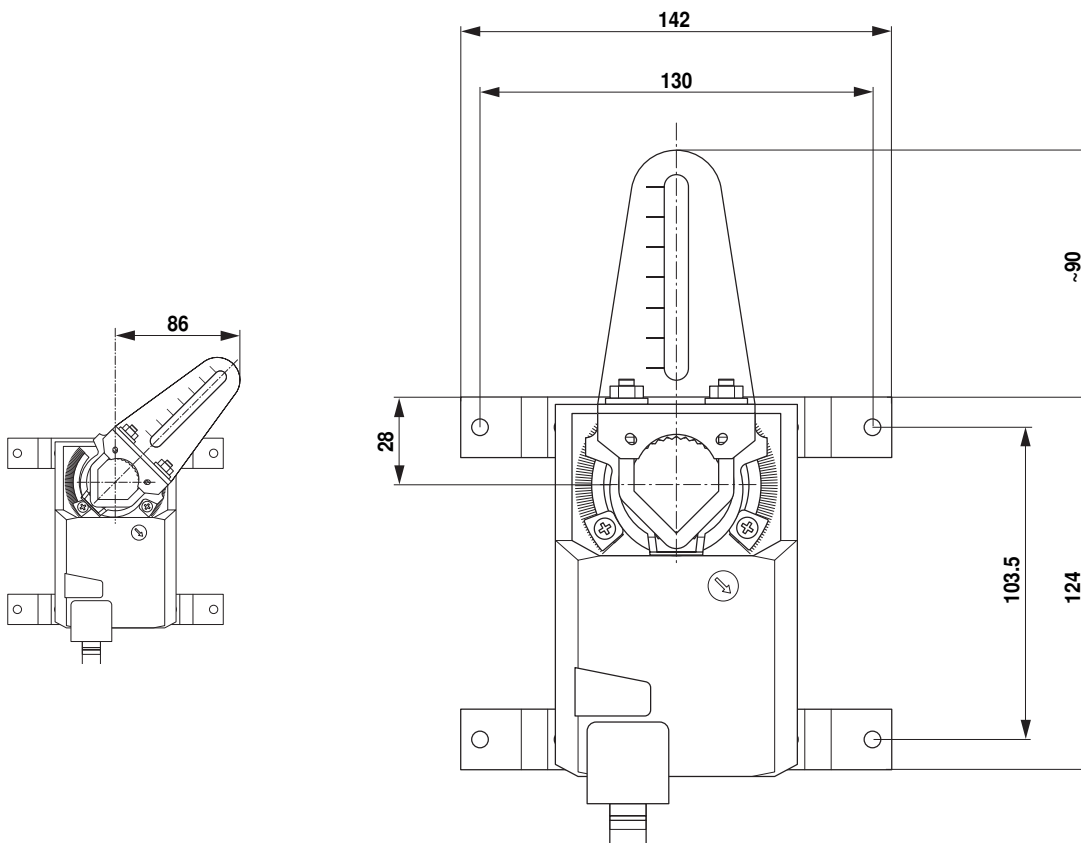
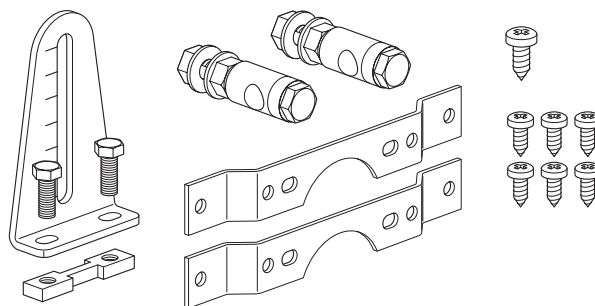
Anti-rotation strap Z-ARS180



Packaging unit: 20 pieces

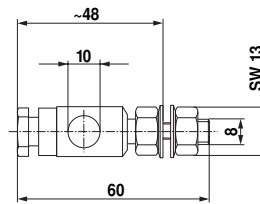
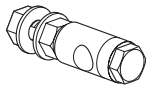
Mounting kit for damper linkage ZG-NMA

• For flat mounting



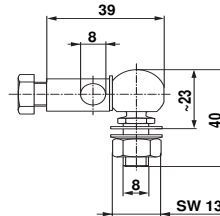
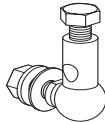
**Ball joint KG10A**

- Suitable for KH8 damper crank arms
- For round steel rod with  $\varnothing$  10 mm
- Galvanized steel



**Ball joint KG8**

- Suitable for KH8 damper crank arms
- For round steel rod with  $\varnothing$  8 mm
- Galvanized steel



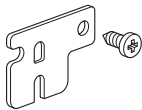
**Position indication Z-PI**



Packaging unit: 20 pieces

**Extension for ground plate Z-NMA**

- Extension from NMQB.. to LMQ..A..
- Galvanized steel



Packaging unit: 20 pieces

