

Globe valve actuator for 2-way and 3-way globe valves

- Actuating force 2500 N
- Nominal voltage AC 230V
- Control: Open-close, 3-point
- Nominal stroke 40 mm


Technical data

Electrical data	Nominal voltage	AC 230 V
	Nominal voltage frequency	50/60 Hz
	Nominal voltage range	AC 198...264V
	Power consumption in operation	5.5 W
	Power consumption in rest position	1 W
	Power consumption for wire sizing	9.5 VA
	Connection supply / control	Terminals 4 mm ² and cable 1 m, 3 x 0.75 mm ²
	Parallel operation	Yes
Functional data	Actuating force	2500 N
	Manual override	Gear disengagement with push-button, can be locked
	Nominal stroke	40 mm
	Actuating time	150 s / 40 mm
	Sound power level motor max.	55 dB (A)
	Position indication	Mechanical 5 ... 40 mm stroke
Safety	Protection class IEC/EN	II Protective insulated
	Degree of protection IEC/EN	IP54
	EMC	CE in accordance with 2004/108/EC
	Certification IEC/EN	Certified to: IEC/EN 60730-1 and IEC/EN 60730-2-14
	Mode of operation	Type 1
	Rated current voltage supply	4 kV
	Control pollution degree	3
	Ambient temperature	0°C ... 50°C
	Non-operating temperature	-40°C ... 80°C
	Ambient humidity	95% r.h., non-condensing
Maintenance	Maintenance-free	
Weight	Weight approx.	4.250 kg

Safety notes


- This actuator has been designed for application in stationary heating, ventilation and air-conditioning systems and is not allowed to be used outside the specified field of application, especially in aircraft or in any other airborne means of transport.
- Only authorised specialists may carry out installation. All applicable legal or institutional installation regulations must be complied with during installation.
- The switch for changing the direction of motion/the closing point may be adjusted only by authorised personnel. The direction of stroke is critical, particularly in connection with frost protection circuits.
- The device may only be opened at the manufacturer's site. It does not contain any parts that can be replaced or repaired by the user.
- The device contains electrical and electronic components and is not allowed to be disposed of as household refuse. All locally valid regulations and requirements must be observed.

Product features

Direct mounting	Simple direct mounting on the globe valve by means of form-fit hollow clamping jaws. The actuator can be rotated by 360° on the valve neck.
Manual override	Manual override with push-button possible - temporary, permanently. The gear is disengaged and the actuator decoupled for as long as the button is pressed / engaged. The stroke can be adjusted by using a hexagon socket screw key (5 mm), which is inserted into the top of the actuator. The stroke spindle extends when the key is rotated clockwise.
High functional reliability	The actuator is overload protected, requires no limit switches and automatically stops when the end stop is reached.
Combination valve/actuator	Refer to the valve documentation for suitable valves, their permitted medium temperatures and closing pressures.
Position indication	The stroke is indicated mechanically on the bracket with tabs. The stroke range adjusts itself automatically during operation.
Home position	Setting ex-works: Actuator spindle is retracted. When valve-actuator combinations are shipped, the direction of motion is set in accordance with the closing point of the valve.
Direction of stroke switch	When actuated, the direction of stroke switch changes the running direction in normal operation.

Accessories

	Description	Type
Electrical accessories	Auxiliary switch	S2A-H

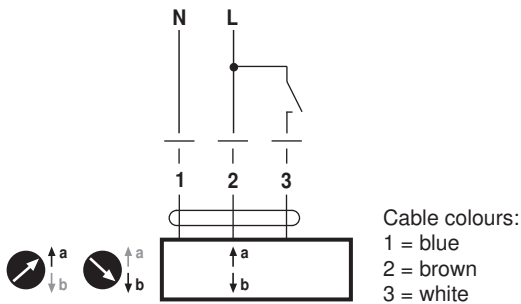
Electrical installation



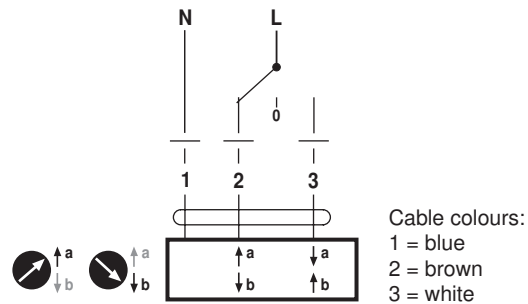
- Notes**
- Parallel connection of other actuators possible.
 - Direction of stroke switch factory setting: Actuator spindle retracted.

Wiring diagrams

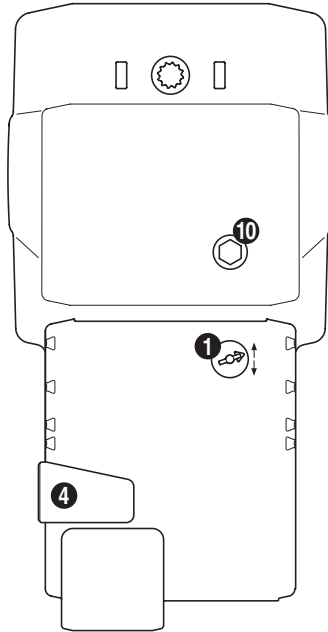
AC 230 V, open-close (one-wire)



AC 230V; 3-point



Operating controls and indicators



(1) Direction of stroke switch

Switching: Direction of stroke changes

(4) Gear disengagement button

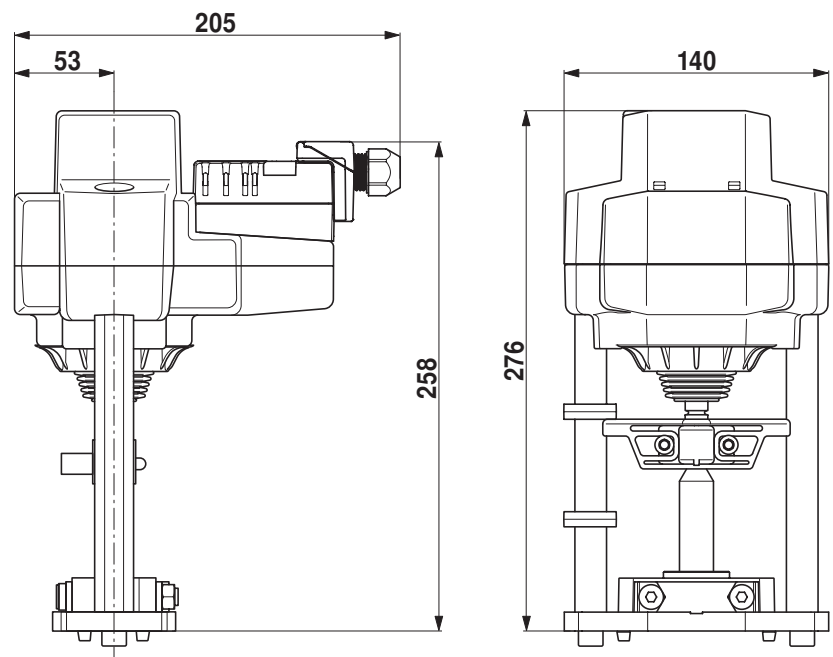
Press button: Gear disengages, motor stops, manual override possible
Release button: Gear engages, standard mode

(10) Manual override

Clockwise: Actuator spindle extends
Counterclockwise: Actuator spindle retracts

Dimensions [mm]

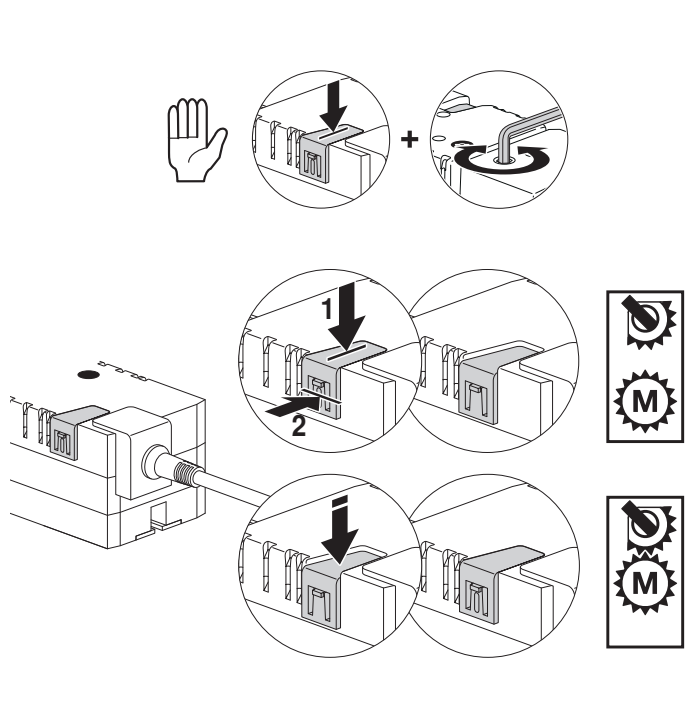
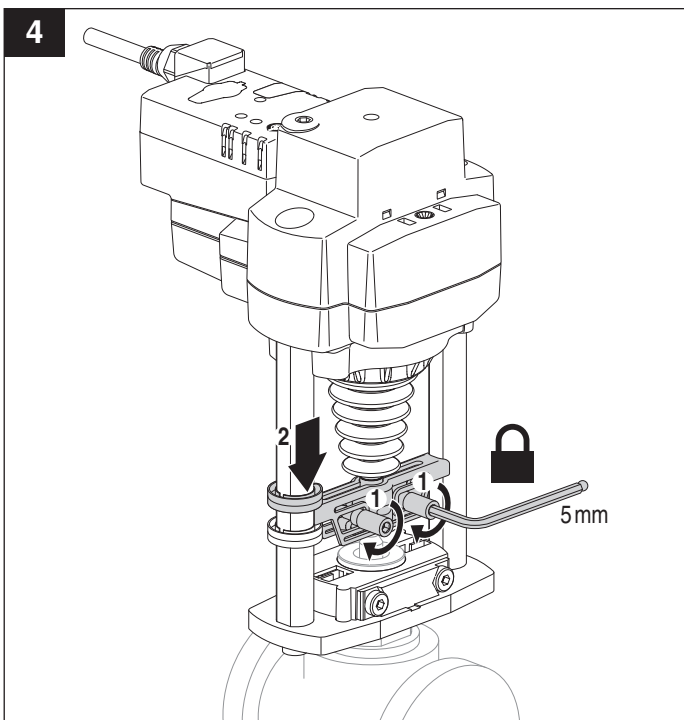
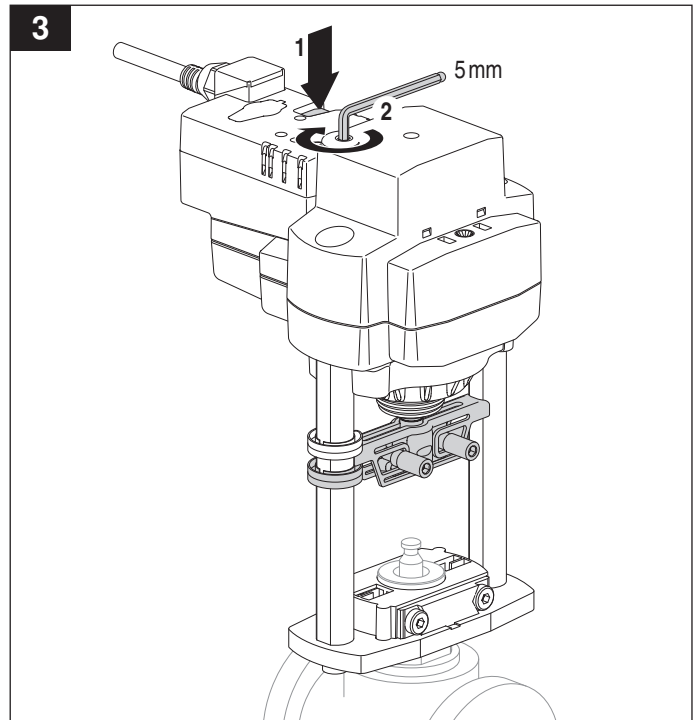
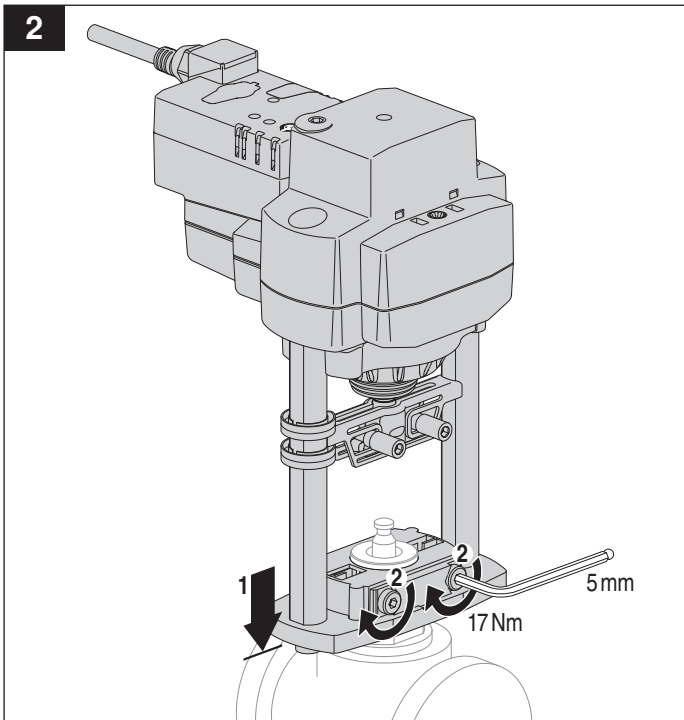
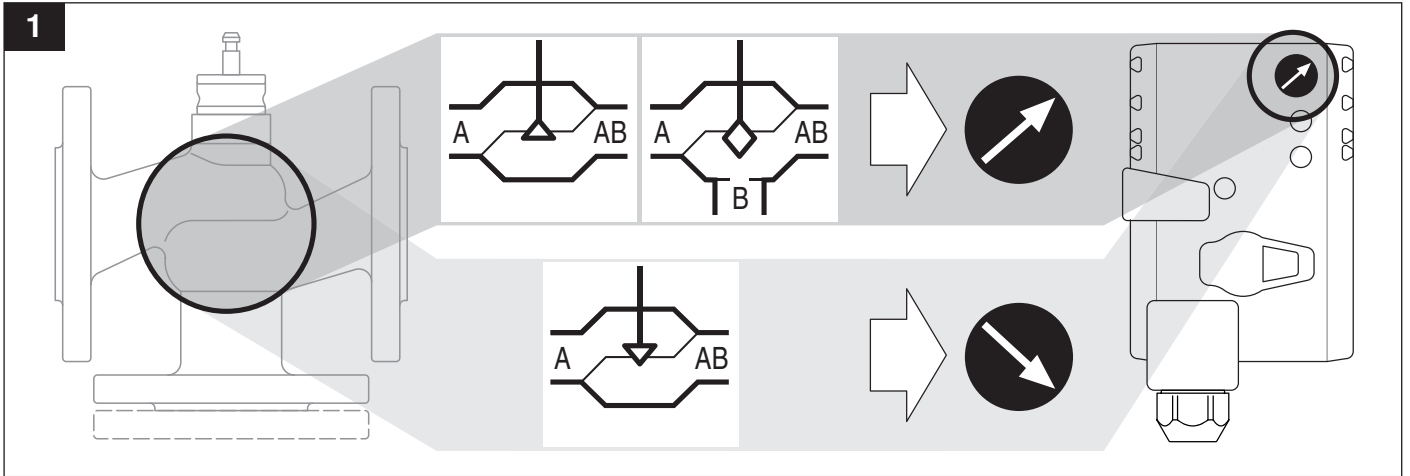
Dimensional drawings

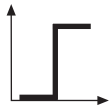


Further documentation

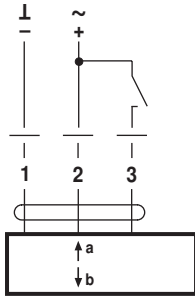
- Data sheets for globe valves
- Installation instructions for actuators and/or globe valves, respectively
- Notes for project planning for 2-way and 3-way globe valves (hydraulic characteristic curves and circuits, design and dimension, installation instructions, etc.)
- Overview "Valve-actuator combinations"

71399-00001.A



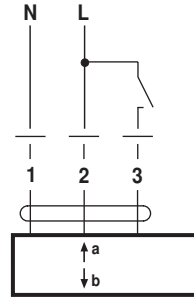


AC 24 V / DC 24 V

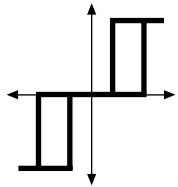


SVL(C)24A
EV(C)24A

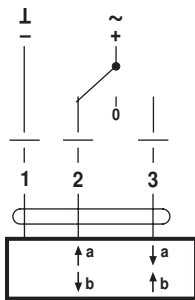
AC 230 V ⚠



SVL(C)230A
EV(C)230A

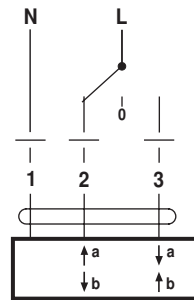


AC 24 V / DC 24 V

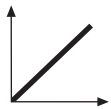


SVL(C)24A
EV(C)24A

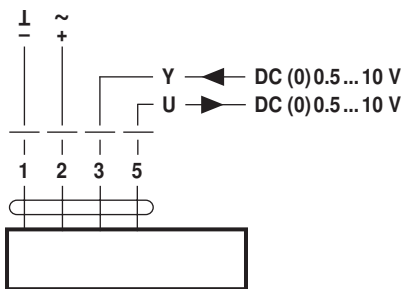
AC 230 V ⚠



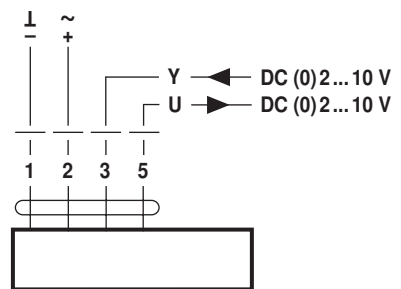
SVL(C)230A
EV(C)230A



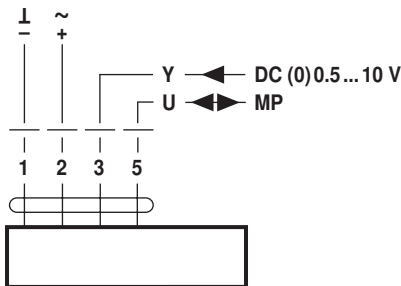
AC 24 V / DC 24 V



SVL(C)24A-SZ SVL(C)24A-MF
EV(C)24A-SZ EV(C)24A-MF
RV24A-SZ RV24A-MF



SVL(C)24A-SR
EV(C)24A-SR
RV24A-SR



SVL(C)24A-MP
EV(C)24A-MP
RV24A-MP