

Globe valve actuator for 2-way and 3-way globe valves

- Actuating force 1000 N
- Nominal voltage AC 230V
- Control: Open-close, 3-point
- Nominal stroke 20 mm


**Technical data**

<b>Electrical data</b>	Nominal voltage	AC 230 V
	Nominal voltage frequency	50/60 Hz
	Nominal voltage range	AC 198...264V
	Power consumption in operation	2 W
	Power consumption in rest position	1 W
	Power consumption for wire sizing	4.5 VA
	Connection supply / control	Terminals 4 mm <sup>2</sup> and cable 1 m, 3 x 0.75 mm <sup>2</sup>
	Parallel operation	Yes
<b>Functional data</b>	Actuating force	1000 N
	Manual override	Gear disengagement with push-button, can be locked
	Nominal stroke	20 mm
	Actuating time	150 s / 20 mm
	Sound power level motor max.	45 dB (A)
	Position indication	Mechanical 5 ... 20 mm stroke
<b>Safety</b>	Protection class IEC/EN	II Protective insulated
	Degree of protection IEC/EN	IP54
	EMC	CE in accordance with 2004/108/EC
	Certification IEC/EN	Certified to: IEC/EN 60730-1 and IEC/EN 60730-2-14
	Mode of operation	Type 1
	Rated current voltage supply	4 kV
	Control pollution degree	3
	Ambient temperature	0°C ... 50°C
	Non-operating temperature	-40°C ... 80°C
	Ambient humidity	95% r.h., non-condensing
Maintenance	Maintenance-free	
<b>Weight</b>	Weight approx.	1.320 kg

**Safety notes**


- This actuator has been designed for application in stationary heating, ventilation and air-conditioning systems and is not allowed to be used outside the specified field of application, especially in aircraft or in any other airborne means of transport.
- Only authorised specialists may carry out installation. All applicable legal or institutional installation regulations must be complied with during installation.
- The switch for changing the direction of motion/the closing point may be adjusted only by authorised personnel. The direction of stroke is critical, particularly in connection with frost protection circuits.
- The device may only be opened at the manufacturer's site. It does not contain any parts that can be replaced or repaired by the user.
- The device contains electrical and electronic components and is not allowed to be disposed of as household refuse. All locally valid regulations and requirements must be observed.

**Product features**

<b>Direct mounting</b>	Simple direct mounting on the globe valve by means of form-fit hollow clamping jaws. The actuator can be rotated by 360° on the valve neck.
<b>Manual override</b>	Manual control with pushbutton possible - temporary, permanently. The gear is disengaged and the actuator decoupled for as long as the button is pressed / latched. The stroke can be adjusted by using a hexagon socket screw key (4 mm), which is inserted into the top of the actuator. The stroke spindle extends when the key is rotated clockwise.
<b>High functional reliability</b>	The actuator is overload protected, requires no limit switches and automatically stops when the end stop is reached.
<b>Combination valve/actuator</b>	Refer to the valve documentation for suitable valves, their permitted medium temperatures and closing pressures.
<b>Position indication</b>	The stroke is indicated mechanically on the bracket with tabs. The stroke range adjusts itself automatically during operation.
<b>Home position</b>	Setting ex-works: Actuator spindle is retracted. When valve-actuator combinations are shipped, the direction of motion is set in accordance with the closing point of the valve.
<b>Direction of stroke switch</b>	When actuated, the direction of stroke switch changes the running direction in normal operation.

**Accessories**

	Description	Type
Electrical accessories	Auxiliary switch	S2A-H

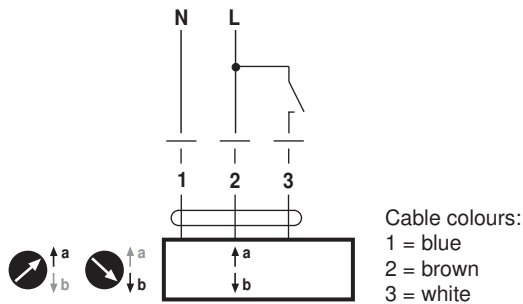
**Electrical installation**



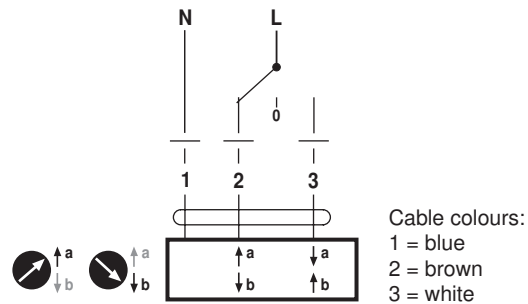
- Notes**
- Parallel connection of other actuators possible.
  - Direction of stroke switch factory setting: Actuator spindle retracted.

**Wiring diagrams**

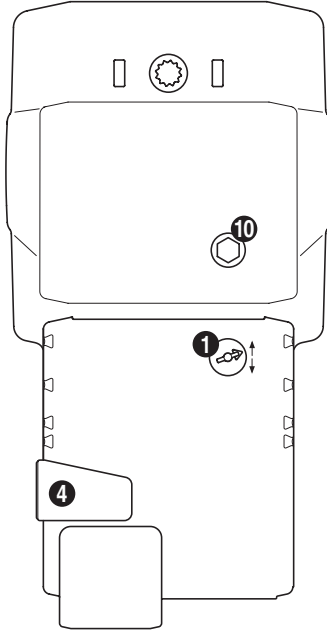
AC 230 V, open-close (one-wire)



AC 230V; 3-point



**Operating controls and indicators**



**(1) Direction of stroke switch**

Switching: Direction of stroke changes

**(4) Gear disengagement button**

Press button: Gear disengages, motor stops, manual override possible

Release button: Gear engages, standard mode

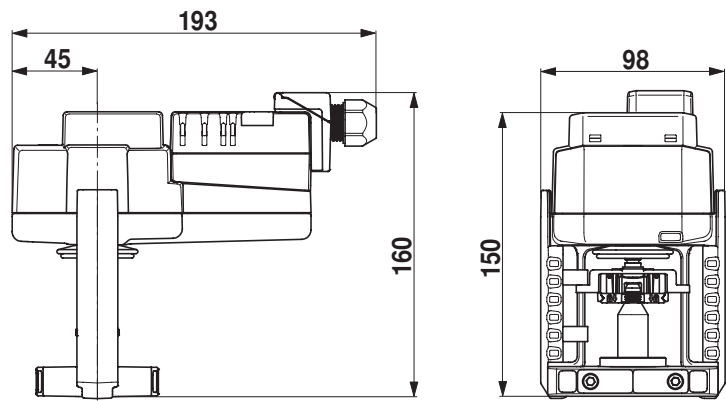
**(10) Manual override**

Clockwise: Actuator spindle extends

Counterclockwise: Actuator spindle retracts

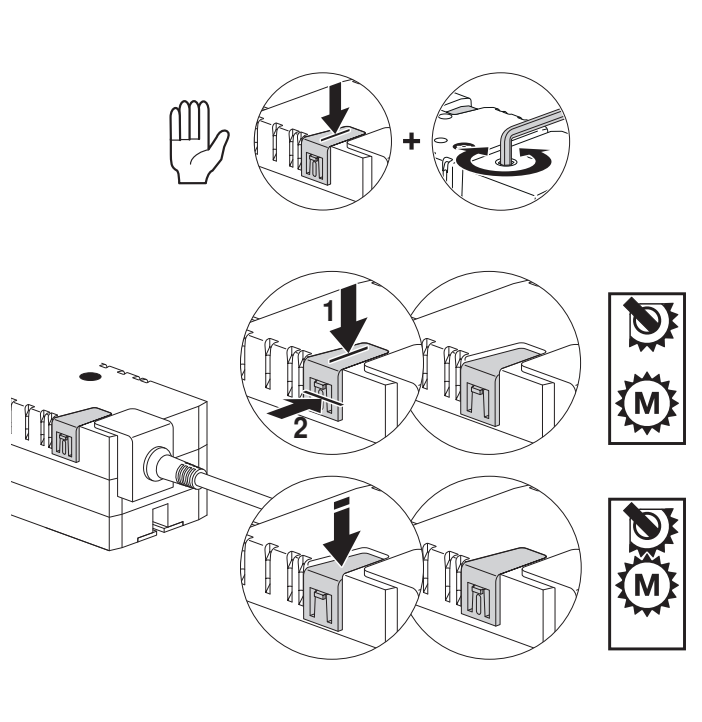
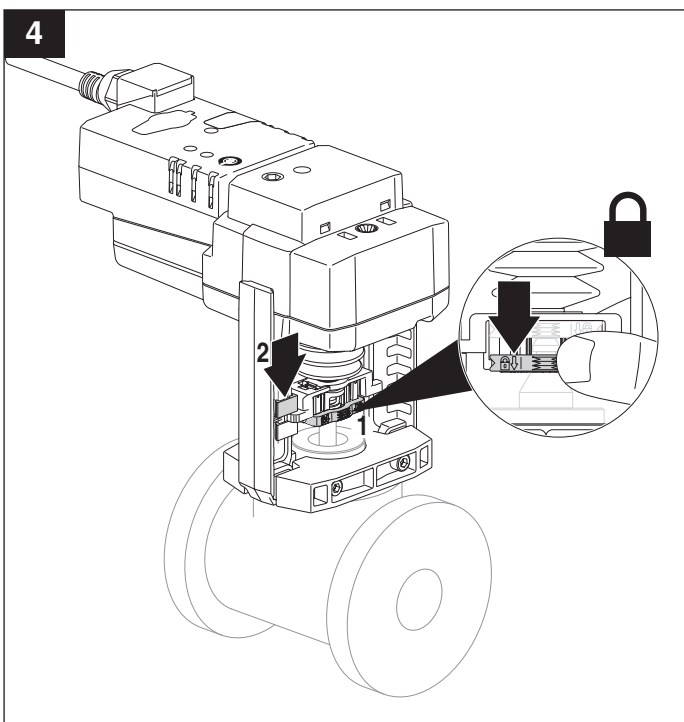
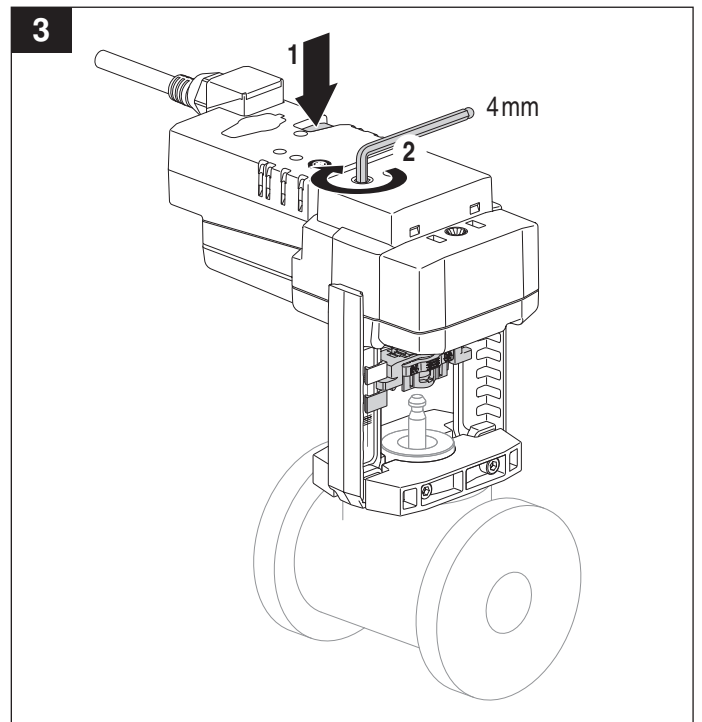
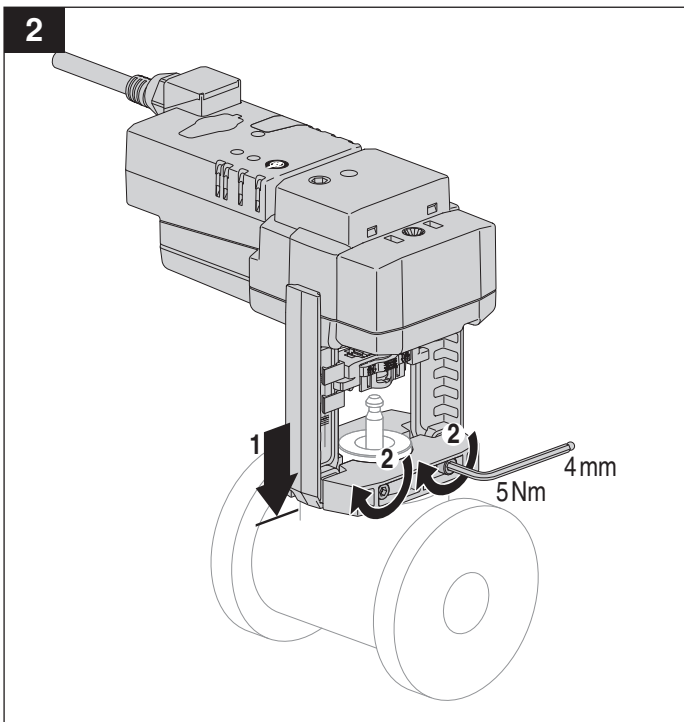
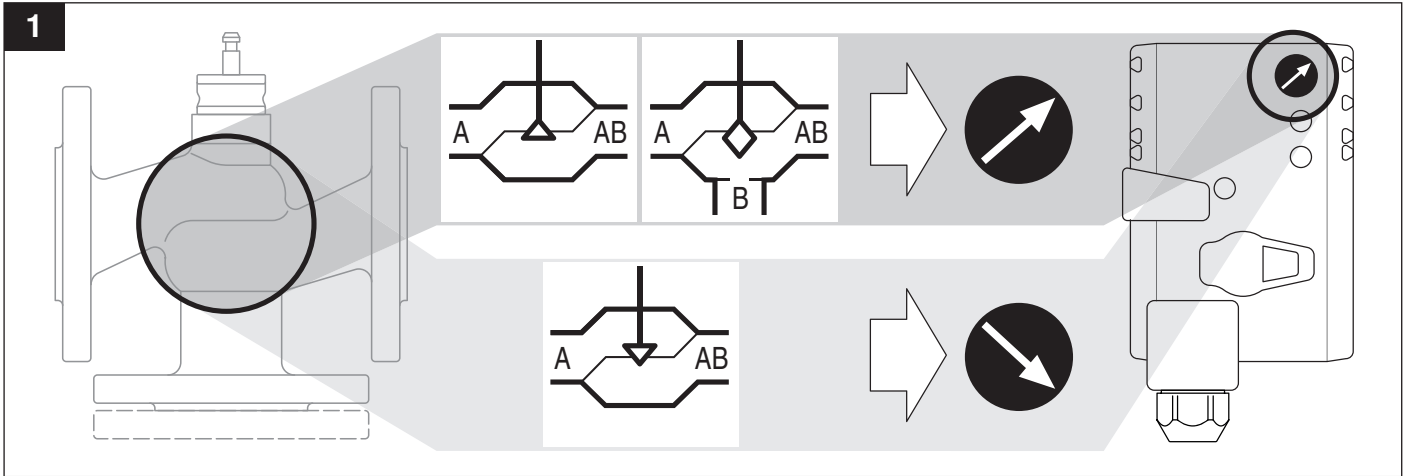
**Dimensions [mm]**

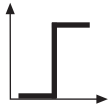
**Dimensional drawings**



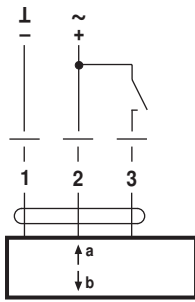
**Further documentation**

- Data sheets for globe valves
- Installation instructions for actuators and/or globe valves, respectively
- Notes for project planning for 2-way and 3-way globe valves (hydraulic characteristic curves and circuits, design and dimension, installation instructions, etc.)
- Overview "Valve-actuator combinations"



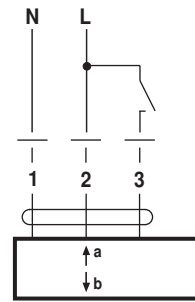


AC 24 V / DC 24 V

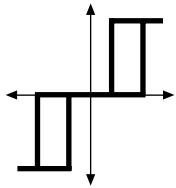


LV(C)24A  
NV(C)24A  
SV(C)24A

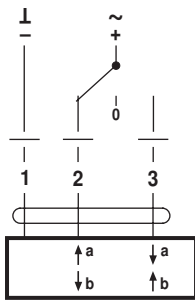
AC 230 V



LV(C)230A  
NV(C)230A  
SV(C)230A

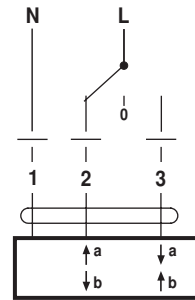


AC 24 V / DC 24 V

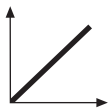


LV(C)24A  
NV(C)24A  
SV(C)24A

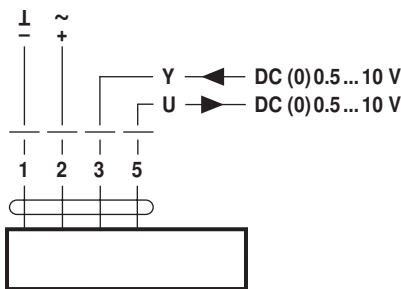
AC 230 V



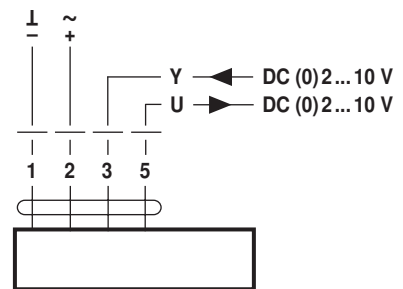
LV(C)230A  
NV(C)230A  
SV(C)230A



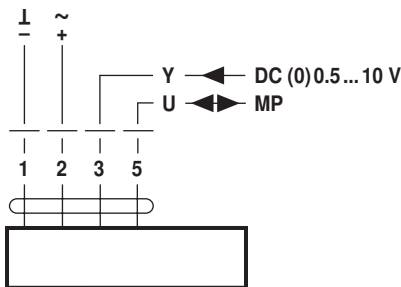
AC 24 V / DC 24 V



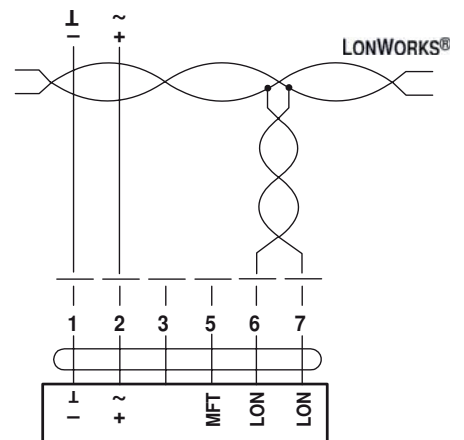
LV(C)24A-SZ    LV(C)24A-MF  
NV(C)24A-SZ    NV(C)24A-MF  
SV(C)24A-SZ    SV(C)24A-MF



LV(C)24A-SR  
NV(C)24A-SR  
SV(C)24A-SR



LV(C)24A-MP  
NV(C)24A-MP  
SV(C)24A-MP



LV24ALON  
NV24ALON