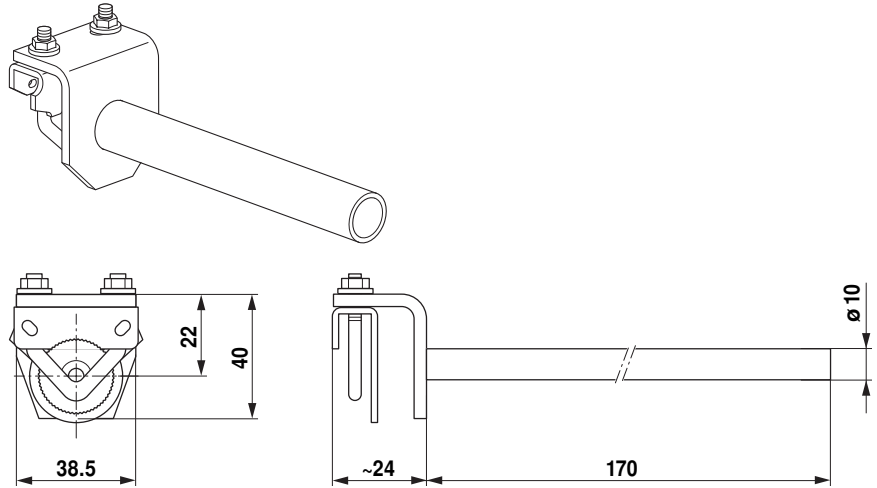


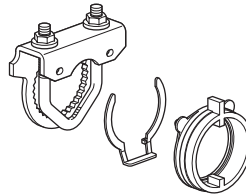
Shaft extension AV6-20

- Length approx. 170 mm
- For damper spindles \varnothing 6 ... 20 mm
- \varnothing Extension 10 mm



Spindle clamps K-ELA..

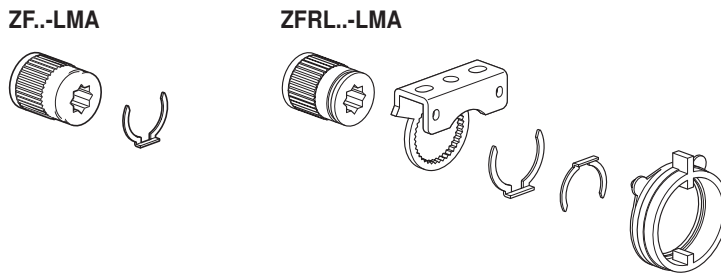
Article number	Clamping range
• K-ELA	6 ... 20 mm
• K-ELA10	6 ... 10 mm
• K-ELA13	6 ... 13 mm
• K-ELA16	6 ... 16 mm



Packaging unit: 20 pieces

Form-fit adapters ZF..-LMA

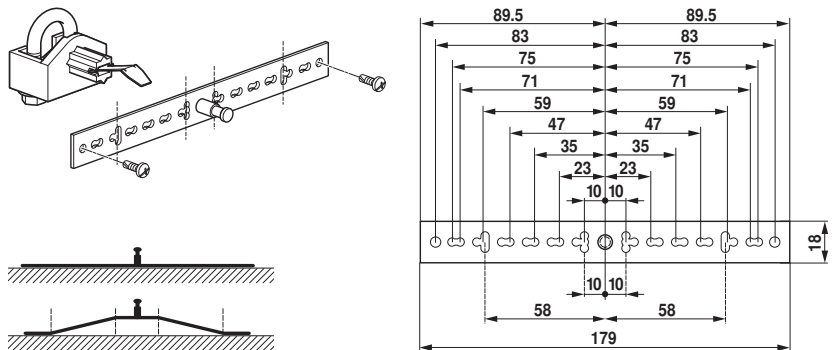
Article number	Shaft dimensions
• ZF8-LMA	8 x 8 mm
• ZF10-LMA	10 x 10 mm
• ZF12-LMA	12 x 12 mm
• ZFRL8-LMA	8 x 8 mm
• ZFRL10-LMA	10 x 10 mm
• ZFRL12-LMA	12 x 12 mm



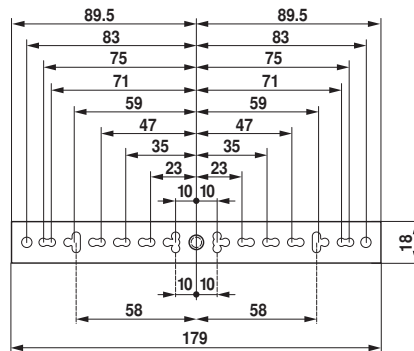
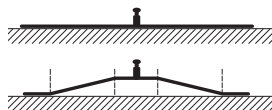
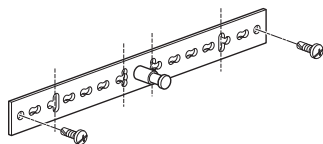
Packaging unit: 20 pieces

Spindle clamp K5A

- For form-fit adapter 8 x 8 mm with clamping range 8 ... 12 mm



Anti-rotation strap Z-ARS180



Packaging unit: 20 pieces

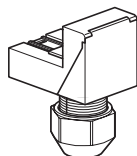
Position indication Z-PI



Packaging unit: 20 pieces

Terminal protection Z-TP

- Protection IP54 for actuators with terminals



Packaging unit: 20 pieces

Cable sealings for Z-TP

Article number	∅
• 43235-00001	4 ... 6 mm
• 43235-00002	6 ... 8 mm
• 43235-00003	8 ... 10 mm

