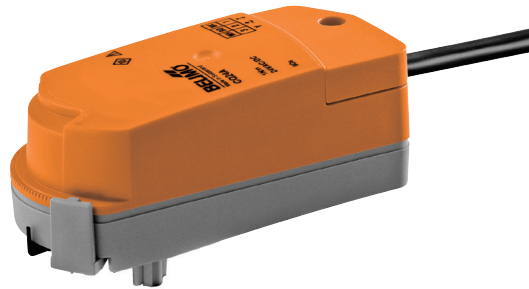


Rotary actuator for zone valves

- Nominal voltage AC/DC 24 V
- Control Open-close, 3-point
- Snap-assembly
- kv setting


Technical data

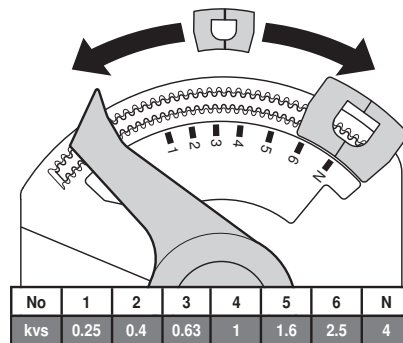
Electrical data	Nominal voltage	AC/DC 24 V
	Nominal voltage frequency	50/60 Hz
	Nominal voltage range	AC 19.2...28.8 V / DC 21.6...28.8 V
	Power consumption in operation	0.3 W
	Power consumption at rest	0.15 W
	Power consumption for wire sizing	0.6 VA
	Connection supply / control	Cable 1 m, 3 x 0.75 mm ²
	Parallel operation	Yes (note the performance data)
Functional data	Torque Motor	1 Nm
	Manual override	No
	Running time Motor	90 s / 90° (kvs = 4.5)
	Sound power level motor max.	35 dB(A)
	Position indication	Yes
	kv (factory setting)	4 m ³ /h
	kv setting	0.25 / 0.4 / 0.63 / 1 / 1.6 / 2.5 / 4 (4.5 without end stop clip)
Safety	Protection class IEC/EN	III safety extra-low voltage
	Degree of protection IEC/EN	IP40
	EMC	CE according to 2004/108/EC
	Certification IEC/EN	Certified to IEC/EN 60730-1 and IEC/EN 60730-2-14
	Mode of operation	Type 1
	Rated current voltage supply / control	0.8 kV
	Control pollution degree	3
	Ambient temperature	5...40°C
	Non-operating temperature	-7...50°C
	Ambient humidity	95% r.h., non-condensing
Maintenance	Maintenance-free	
Weight	Weight approx.	0.2 kg

Safety notes


- This actuator has been designed for use in stationary heating, ventilation and air-conditioning systems and is not allowed to be used outside the specified field of application, especially in aircraft or in any other airborne means of transport.
- It may be installed only by suitably trained personnel. Any legal technical regulations or technical regulations issued by authorities must be observed during assembly.
- The device may only be opened at the manufacturer's site. It does not contain any parts that can be replaced or repaired by the user.
- The cable must not be removed from the device.
- The device contains electrical and electronic components and is not allowed to be disposed of as household refuse. All locally valid regulations and requirements must be observed.

Product features

- Direct mounting** Tool-free snap-assembly
The actuator can be plugged to the valve with hand pressure (Caution! vertical movement only). Pins must match the holes on the flange.
The mounting orientation in relation to the valve can be selected in 180° increments. (possible 2 x)
- Manual override** Manual control with pushbutton possible - temporary, permanently. The gear is disengaged and the actuator decoupled for as long as the button is pressed / latched.
- High functional reliability** The actuator is overload protected, requires no limit switches in intermediate positions and automatically stops when the end stop is reached (at rest).
- Adjustable angle of rotation** The rotary actuator can be adjusted beginning with 90° (A – AB = 100%) in 2.5° increments. The scale corresponds to 25 ... 100% of the kvs value.
- kv-setting** Remove end stop clip and place at desired position (without end stop clip kvs = 4.5 m³/h).



Accessories

	Description	Type
Mechanical accessories	Housing-cover white	ZCQ-W

Electrical installation

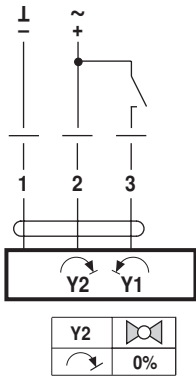


Notes

- Connection via safety isolating transformer.
- Parallel connection of other actuators possible. Observe the performance data.

Wiring diagrams

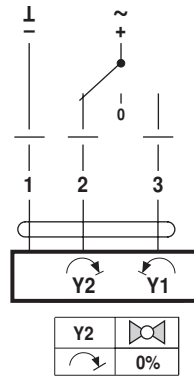
AC/DC 24, open-close



Cable colours:

- 1 = black
- 2 = red
- 3 = white

AC/DC 24 V, 3-point



Cable colours:

- 1 = black
- 2 = red
- 3 = white

Installation instructions

Maintenance

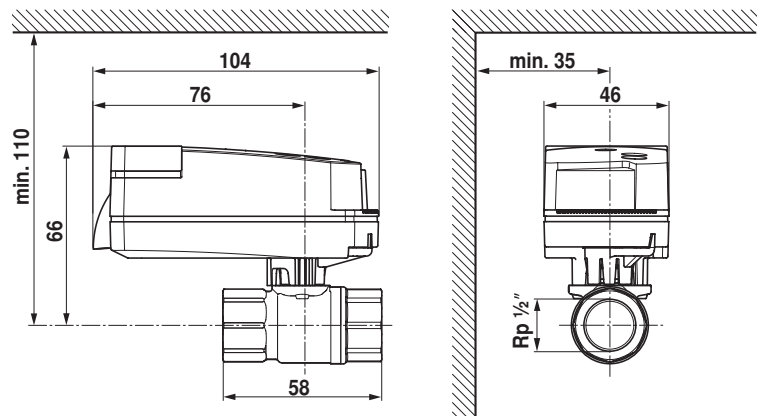
Ball valves and rotary actuators are maintenance-free.

Before any kind of service work is carried out on the actuator, it is essential to isolate the rotary actuator from the power supply (by unplugging the electrical cable). Any pumps in the part of the piping system concerned must also be switched off and the appropriate slide valves closed (allow everything to cool down first if necessary and reduce the system pressure to ambient pressure level).

The system must not be returned to service until the characterised control valve and the rotary actuator have been properly reassembled in accordance with the instructions and the pipeline has been refilled in the proper manner.

Dimensions [mm]

Dimensional drawings



Further documentation

- Overview Valve-actuator combinations
- Data sheet for zone valves C215Q
- Installation instruction for zone valves and actuators C215Q / CQ..
- General notes for project planning