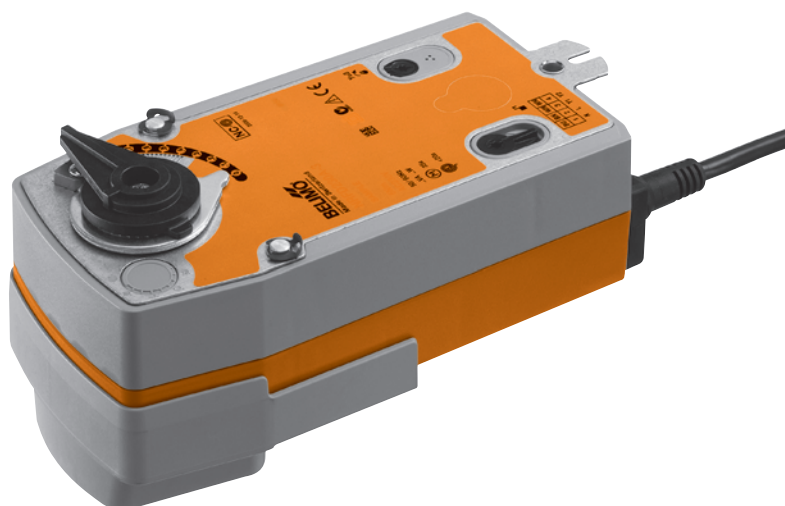


Rotary actuator with emergency function for butterfly valves

- Torque 20 Nm
- Nominal voltage AC 230 V
- Control: Open-close
- SRF230A-5: Deenergised NC
- SRF230A-5-O: Deenergised NO


Technical data

Electrical data	Nominal voltage	AC 230 V, 50/60 Hz
	Nominal voltage range	AC 195 ... 264 V
	Power consumption	In operation 6.5 W @ nominal torque
		At rest 3.5 W
	For wire sizing	18 VA
	Connection	Cable 1 m, 2 x 0.75 mm ²
	Parallel connection	Yes (Note performance data for supply!)
Functional data	Torque	Motor Min. 20 Nm @ nominal voltage
		Spring return Min. 20 Nm
	Direction of rotation	Spring return
		– SRF230A-5 Deenergised NC, butterfly valve closed (A – AB = 0%)
		– SRF230A-5-O Deenergised NO, butterfly valve open (A – AB = 100%)
	Manual override	With hand crank and interlocking switch
	Angle of rotation	Max. 90°↔
	Running time	Motor ≤75 s / 90°↔
		Spring return ≤20 s @ –20 ... 50°C / max. 60 s @ –30°C
	Sound power level	Motor ≤45 dB (A)
	Spring return ≤62 dB (A)	
	Position indication	Mechanical
Safety	Protection class	II totally insulated □
	Degree of protection	IP54
	EMC	CE according to 2004/108/EC
	Low-voltage directive	CE according to 2006/95/EC
	Certification	Certified to IEC/EN 60730-1 and IEC/EN 60730-2-14
	Mode of operation	Type 1.AA
	Rated impulse voltage	4 kV
	Control pollution degree	3
	Ambient temperature	–30 ... +50°C
	Media temperature	+5 ... +100°C (in butterfly valve)
	Non-operating temperature	–40 ... +80°C
	Ambient humidity	95% r.h., non-condensating
Maintenance	Maintenance-free	
Dimensions / Weight	Dimensions	See «Dimensions» on page 3
	Weight	Approx. 2 kg (without butterfly valve)

Safety notes



- The actuator has been designed for use in stationary heating, ventilation and air conditioning systems and is not allowed to be used outside the specified field of application, especially in aircraft or in any other airborne means of transport.
- **Caution: Power supply voltage!**
- It may only be installed by suitably trained personnel.
All applicable legal or institutional installation regulations must be complied with.
- The device may only be opened at the manufacturer's site. It does not contain any parts that can be replaced or repaired by the user.
- The cable must not be removed from the device.
- The device contains electrical and electronic components and is not allowed to be disposed of as household refuse. All locally valid regulations and requirements must be observed.

Product features

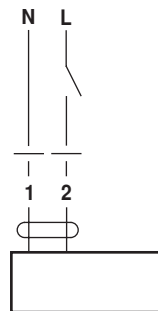
Mode of operation	The actuator moves the butterfly valve to the operating position at the same time as tensioning the return spring. The butterfly valve is turned back to the safety position by spring force if the supply voltage is interrupted.
Simple direct mounting	Straightforward direct mounting on the butterfly valve with only one screw. The mounting position in relation to the butterfly valve can be selected in 90°-steps.
Manual override	Manual operation of the valve with the hand crank, locking in any position with the interlocking switch. Unlocking is manual or automatic by applying the operating voltage.
Adjustable angle of rotation	Adjustable angle of rotation with mechanical end stop.
High operational reliability	The actuator is overload-proof, requires no limit switches and automatically stops when the end stop is reached.
Combination valve actuators	Refer to the valve documentation for suitable valves, their permitted media temperatures and closing pressures.

Electrical installation

Wiring diagram

Notes

- Caution: Power supply voltage!
- Parallel connection of other actuators possible.
Note the performance data.

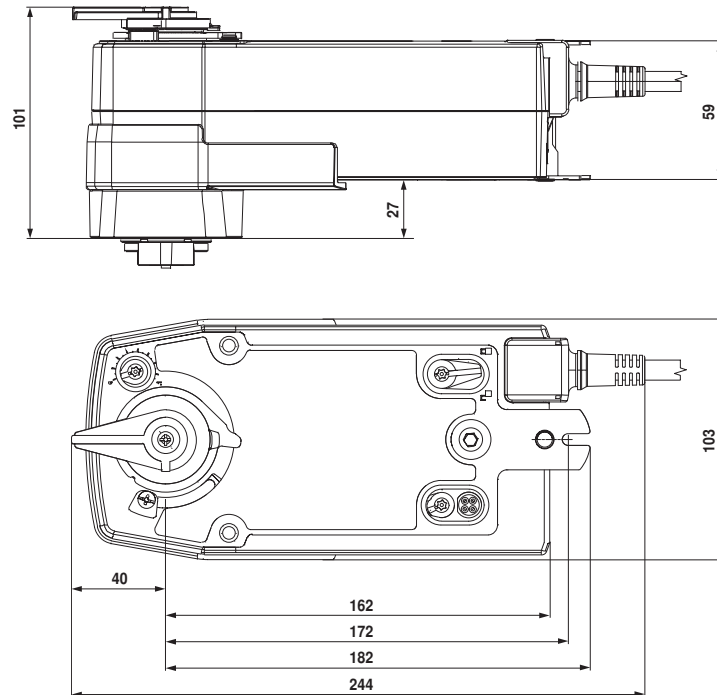


Cable colours:

- 1 = black
- 2 = red

Dimensions [mm]

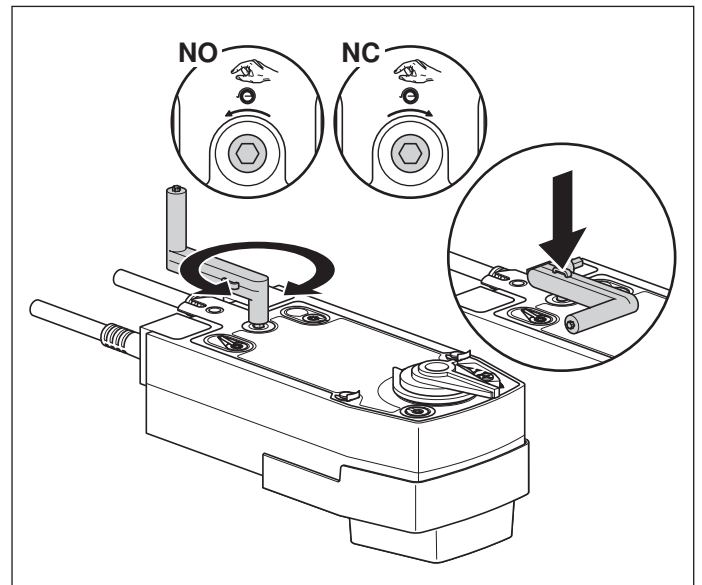
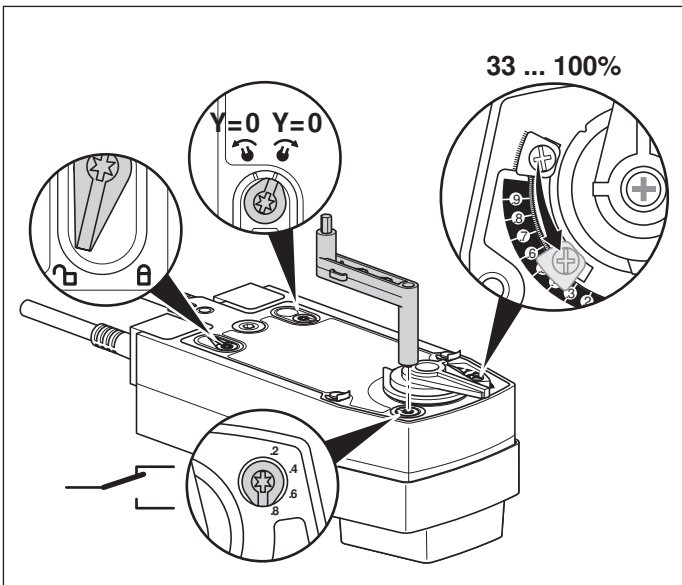
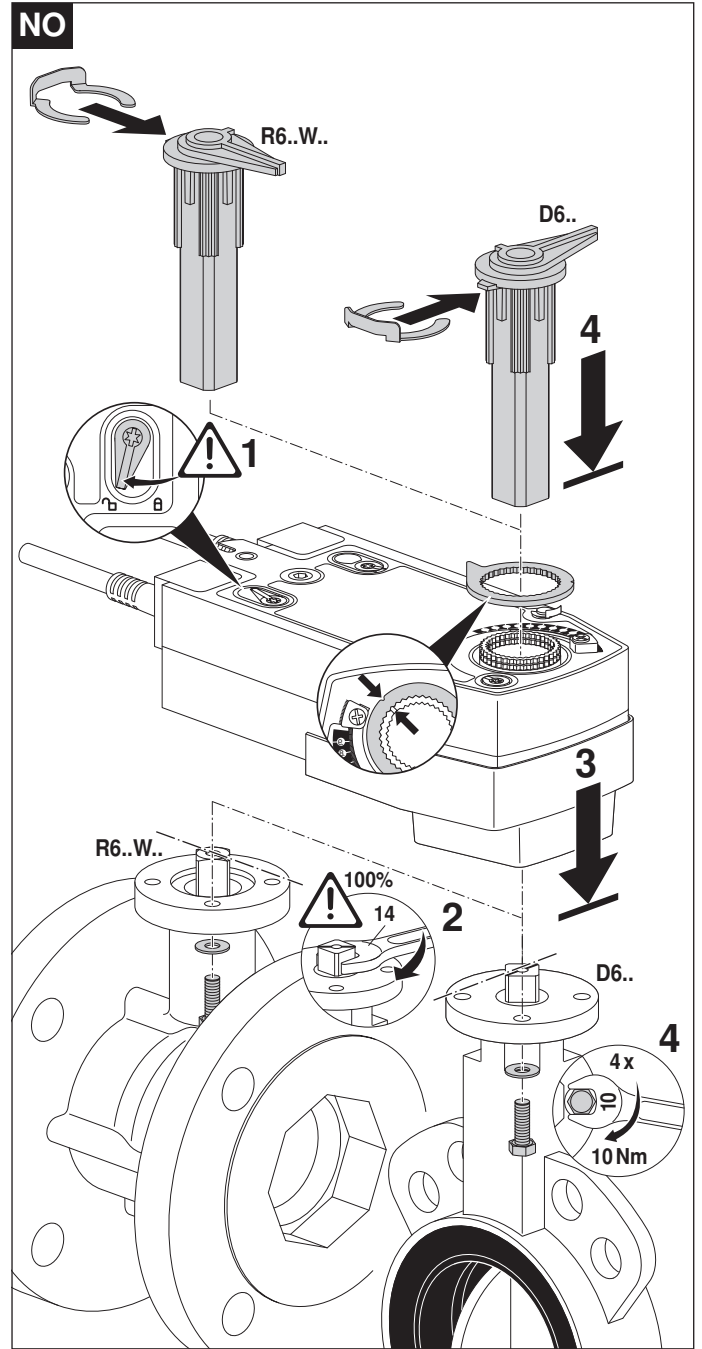
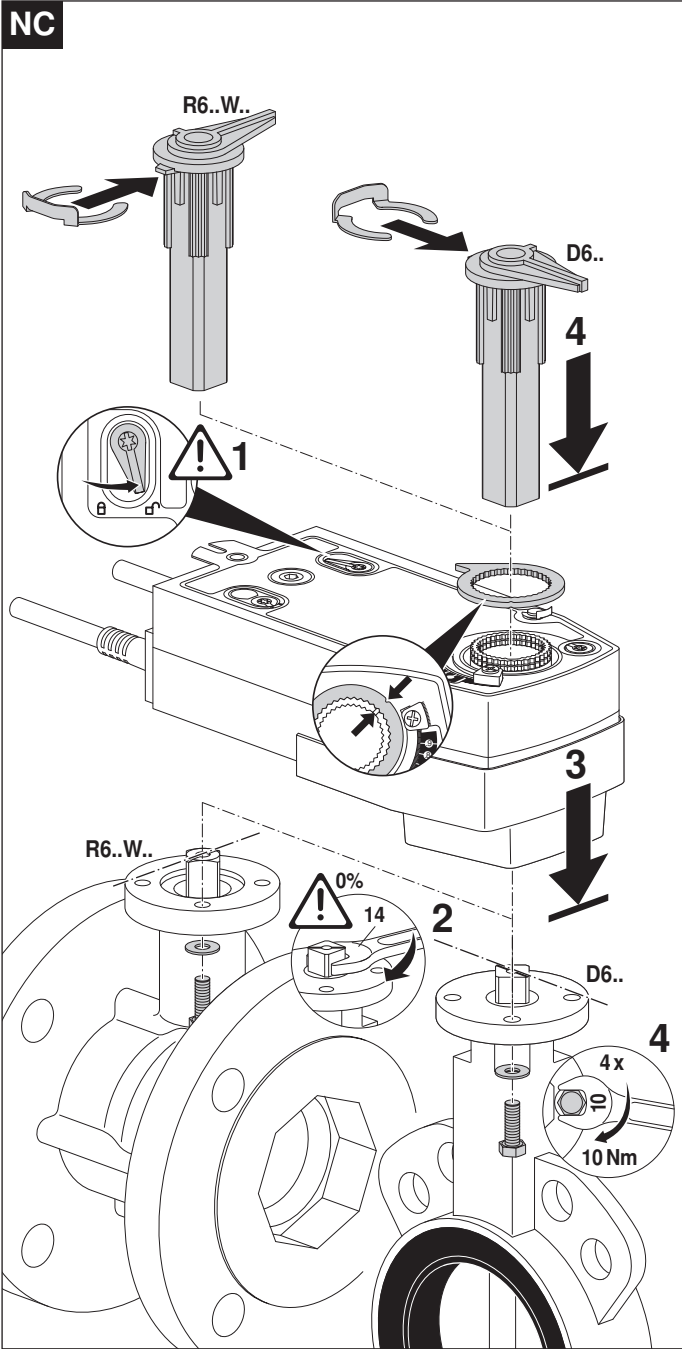
Dimensional drawings

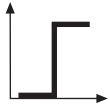


Further documentations

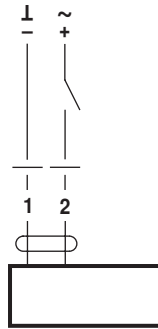
- Complete overview «The complete range of water solutions»
- Data sheets for butterfly valves
- Installation instructions for actuators and/or butterfly valves
- Notes for project planning (hydraulic characteristic curves and circuits, installation regulations, commissioning, maintenance etc.)

71130-00001.D

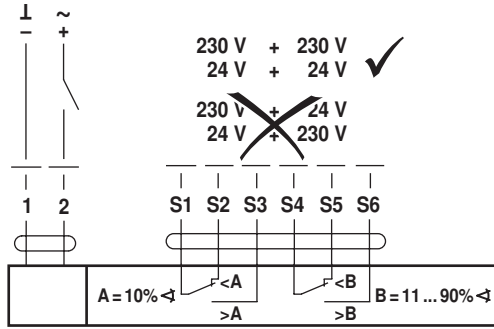




AC 24 V / DC 24 V

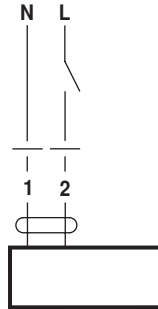


SRF24A-5(-O)

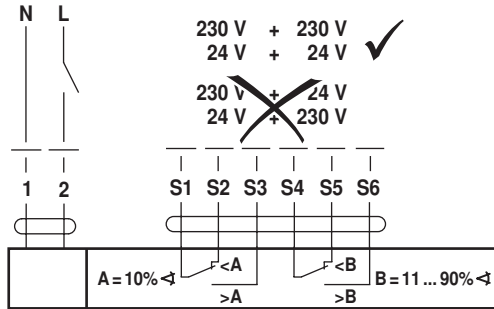


SRF24A-S2-5(-O)

AC 230 V ⚠

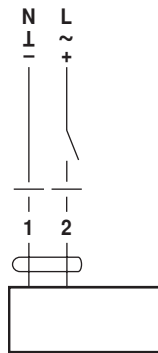


SRF230A-5(-O)

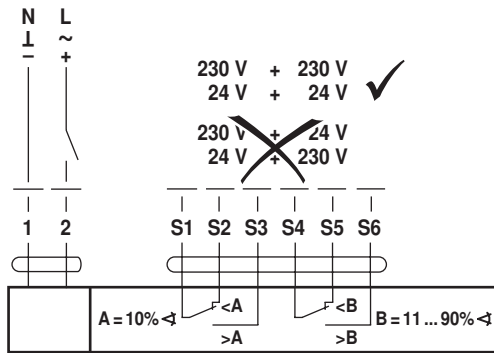


SRF230A-S2-5(-O)

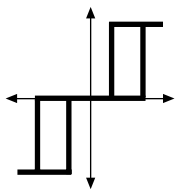
AC 24 ... 240 V / DC 24 ... 125 V ⚠



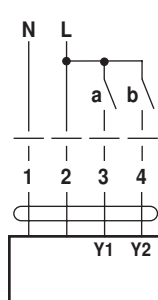
SRFA-5(-O)



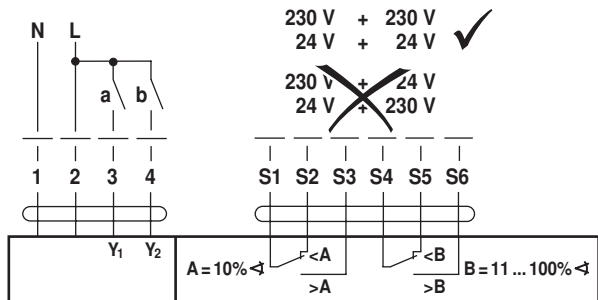
SRFA-S2-5(-O)



AC 230 V ⚠



SRF230A-3-5(-O)



SRF230A-3-S2-5(-O)

a	b	NO	NC	
(Y1)	(Y2)			
				A - AB = 100%
		stop	stop	
				A - AB = 0%