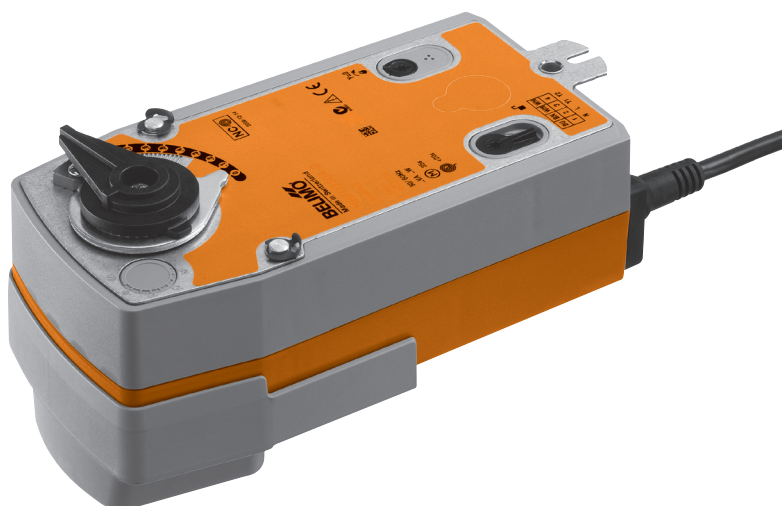


Modulating rotary actuator with emergency function for 2- and 3-way ball valves

- Torque 20 Nm
- Nominal voltage AC/DC 24 V
- Control: modulating DC 0 ... 10 V
- Position feedback DC 0 ... 10 V
- SRF24A-SZ: Deenergised NC  
SRF24A-SZ-O: Deenergised NO



### Technical data

<b>Electrical data</b>	Nominal voltage	AC 24 V, 50/60 Hz / DC 24 V
	Nominal voltage range	AC 19.2 ... 28.8 V / DC 21.6 ... 28.8 V
	Power consumption	In operation 5.5 W @ nominal torque At rest 3 W For wire sizing 8.5 VA
	Connection	Cable 1 m, 4 x 0.75 mm <sup>2</sup>
	Parallel connection	Yes (Note performance data for supply!)
<b>Functional data</b>	Torque	Motor Min. 20 Nm @ nominal voltage Spring return Min. 20 Nm
	Control	Control signal Y DC 0 ... 10 V, input impedance 100 kΩ Operating range DC 0.5 ... 10 V
	Position feedback (measuring voltage U)	DC 0.5 ... 10 V, max. 0.5 mA
	Position accuracy	±5%
	Direction of rotation	Motor Reversible with switch ↺ / ↻ Spring return – SRF24A-SZ Deenergised NC, ball valve closed (A – AB = 0%) – SRF24A-SZ-O Deenergised NO, ball valve open (A – AB = 100%)
	Manual override	With hand crank and interlocking switch
	Angle of rotation	Max. 90° <math>\pm</math>
	Running time	Motor ≤90 s / 90° <math>\pm</math> Spring return ≤20 s @ –20 ... 50 °C / max. 60 s @ –30 °C
	Sound power level	Motor ≤45 dB (A) Spring return ≤62 dB (A)
	Position indication	Mechanical
	<b>Safety</b>	Protection class
Degree of protection		IP54 NEMA 2, UL Enclosure Type 2
EMC		CE according to 2004/108/EC
Certification		cULus according to UL 60730-1A and UL 60730-2-14 and CAN/CSA E60730-1:02 Certified to IEC/EN 60730-1 and IEC/EN 60730-2-14
<b>Dimensions / Weight</b>	Mode of operation	Type 1.AA
	Rated impulse voltage	0.8 kV
	Control pollution degree	3
	Ambient temperature	–30 ... +50 °C
	Non-operating temperature	–40 ... +80 °C
	Ambient humidity	95% r.h., non-condensating
	Maintenance	Maintenance-free
	Dimensions	See «Dimensions» on page 3
	Weight	Approx. 2.2 kg (without ball valve)

Safety notes



- The actuator has been designed for use in stationary heating, ventilation and air conditioning systems and is not allowed to be used outside the specified field of application, especially in aircraft or in any other airborne means of transport.
- It may only be installed by suitably trained personnel. All applicable legal or institutional installation regulations must be complied with.
- The device may only be opened at the manufacturer's site. It does not contain any parts that can be replaced or repaired by the user.
- The cable must not be removed from the device.
- The device contains electrical and electronic components and is not allowed to be disposed of as household refuse. All locally valid regulations and requirements must be observed.

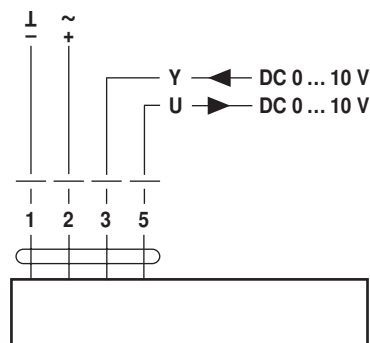
Product features

- Mode of operation** The actuator is controlled with a standard signal of DC 0 ... 10 V and moves the ball valve to the operating position at the same time as tensioning the return spring. The ball valve is turned back to the emergency position by spring force if the supply voltage is interrupted.
- Simple direct mounting** Straightforward direct mounting on the ball valve with only one screw. The mounting position in relation to the ball valve can be selected in 90° steps.
- Manual override** Manual operation of the valve with the hand crank, locking in any position with the interlocking switch. Unlocking is manual or automatic by applying the operating voltage.
- Adjustable angle of rotation** Adjustable angle of rotation with mechanical end stop.
- High operational reliability** The actuator is overload-proof, requires no limit switches and automatically stops when the end stop is reached.
- Combination valve actuators** Refer to the valve documentation for suitable valves, their permitted media temperatures and closing pressures.

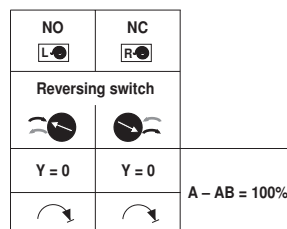
Electrical installation

Wiring diagram

- Notes**
- Connect via safety isolation transformer.
  - Parallel connection of other actuators possible. Note the performance data.

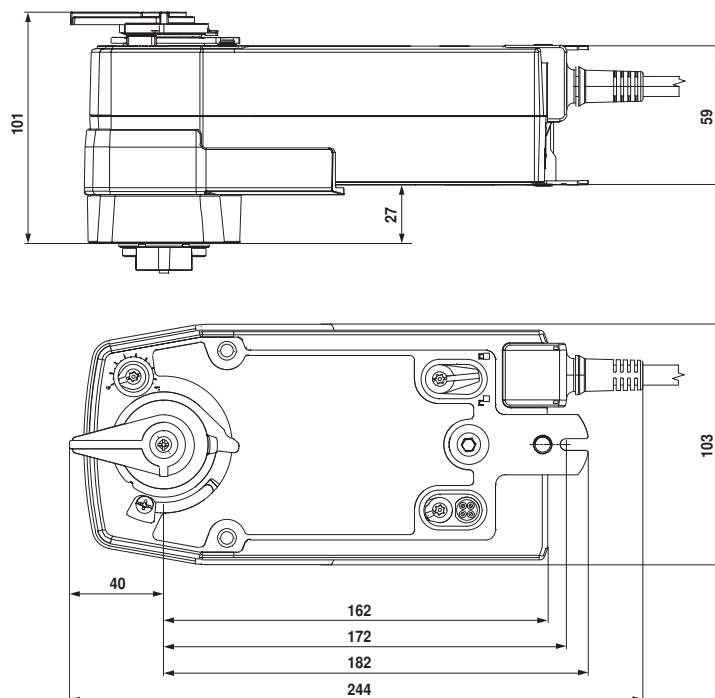


Direction of rotation



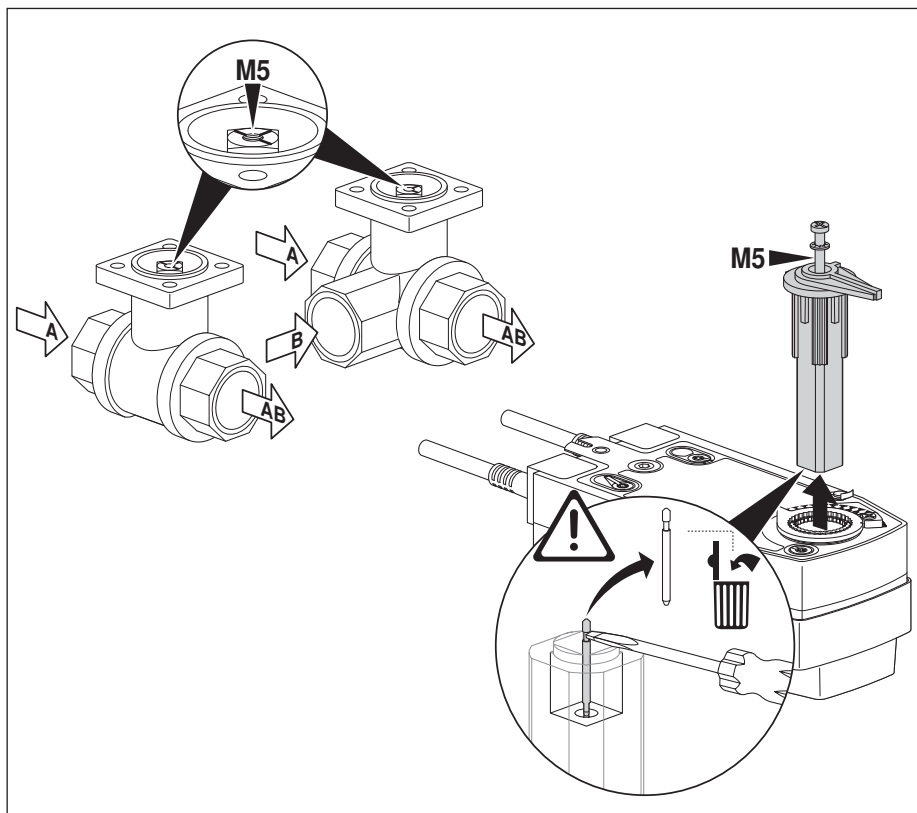
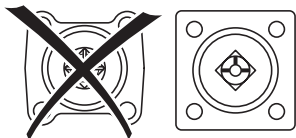
## Dimensions [mm]

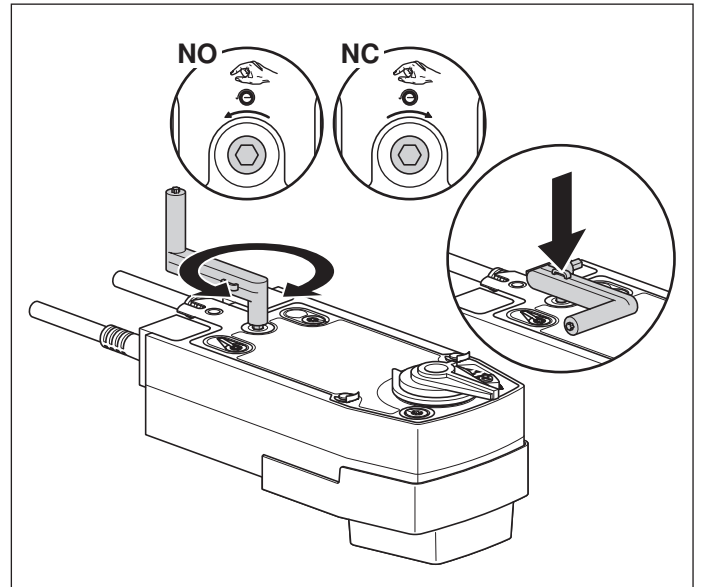
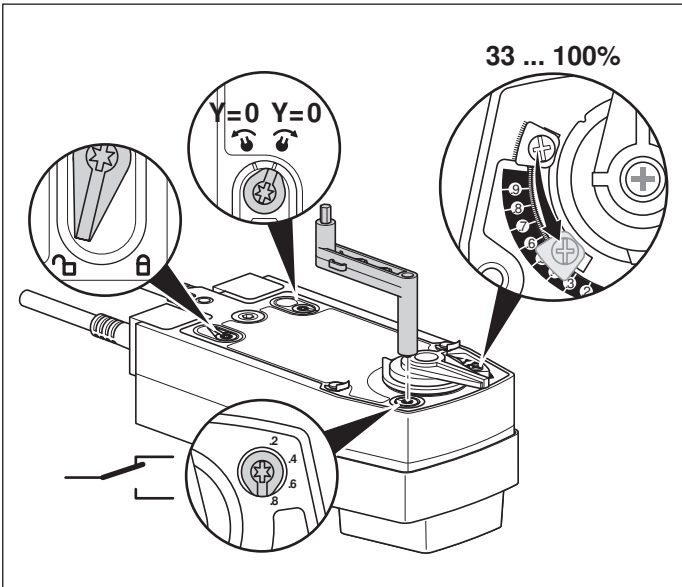
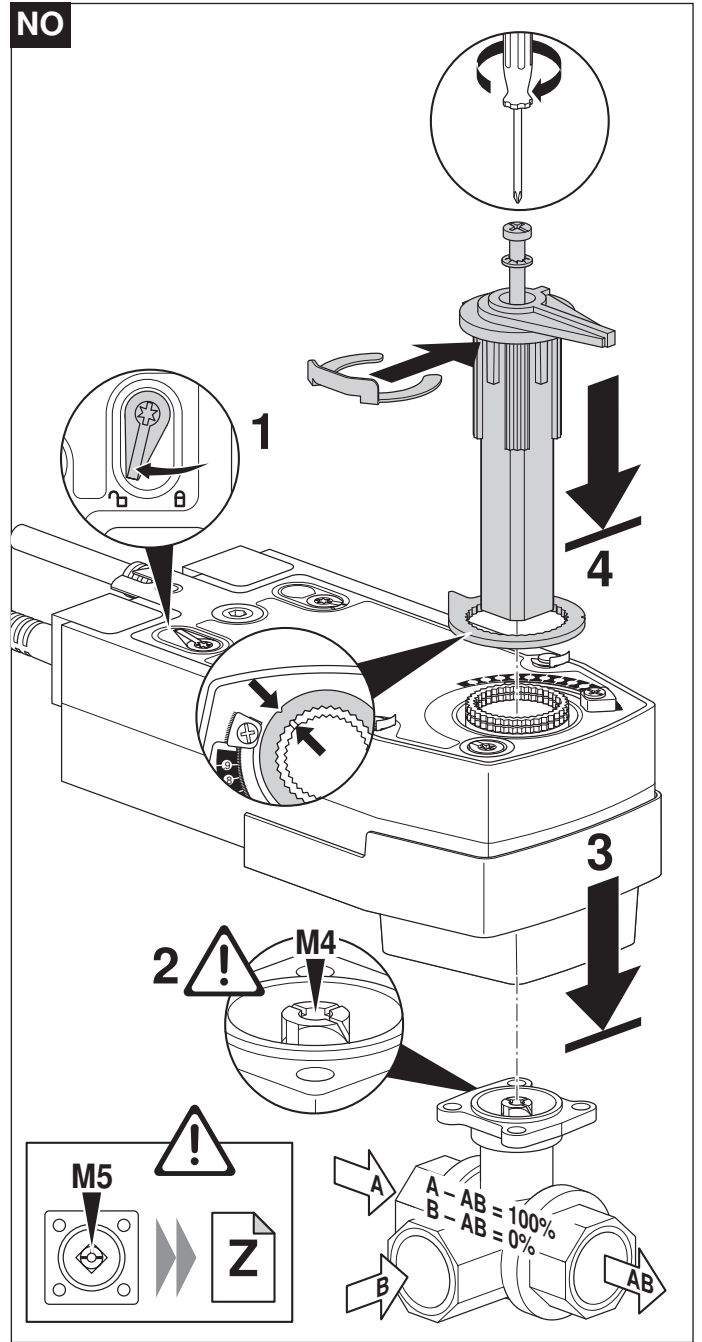
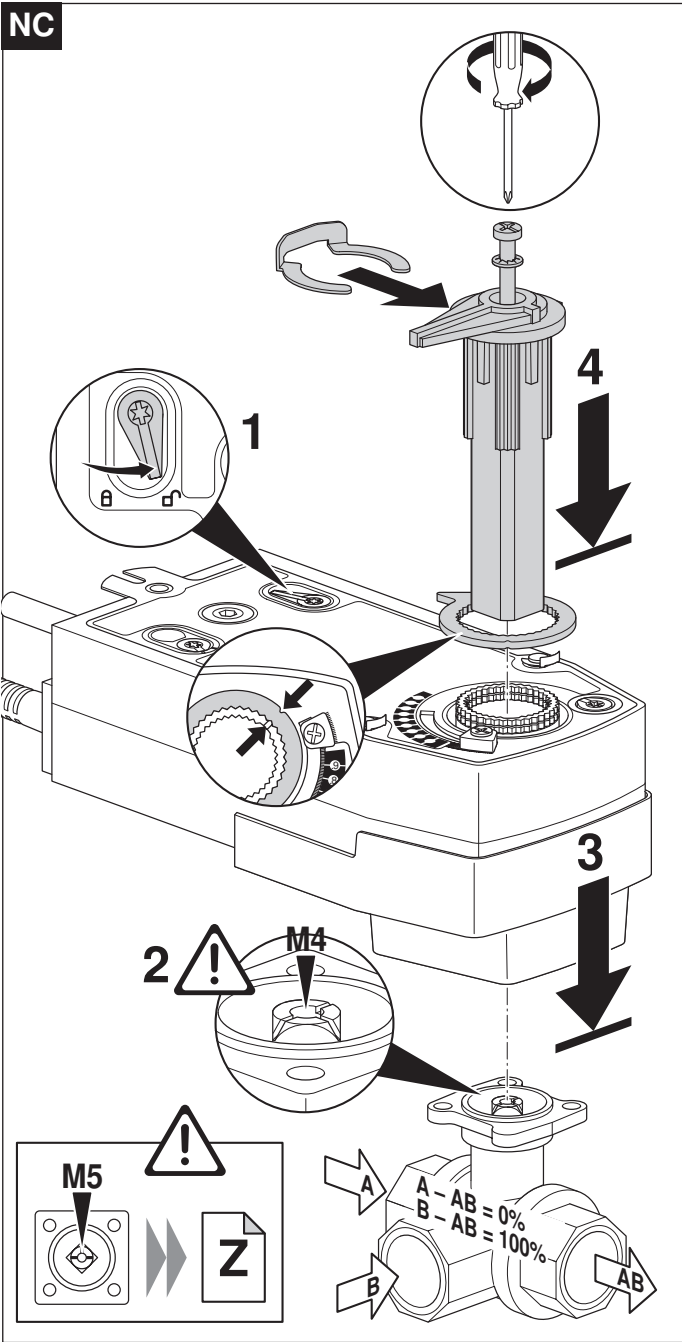
## Dimensional drawings

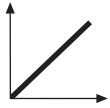


## Further documentations

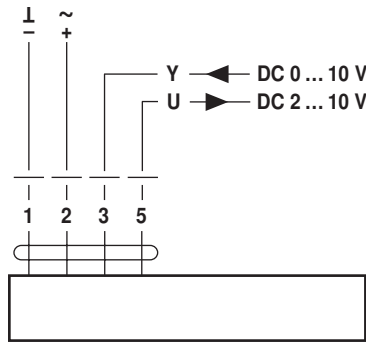
- Overview Valve-actuator combinations
- Data sheets for ball valves
- Installation instructions for actuators and/or ball valves
- Notes for project planning (hydraulic characteristic curves and circuits, installation regulations, commissioning, maintenance etc.)



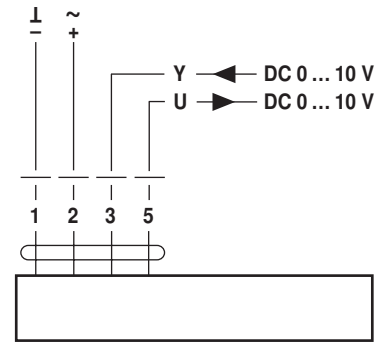




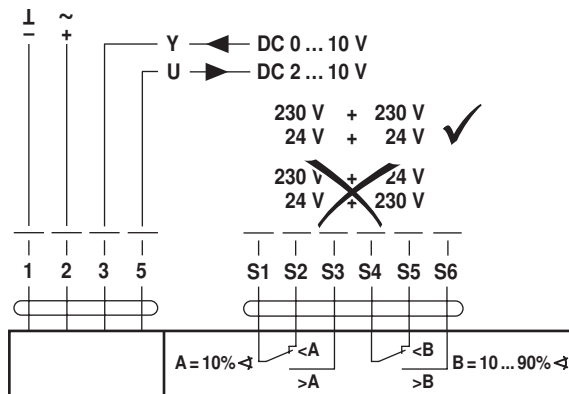
AC 24 V / DC 24 V



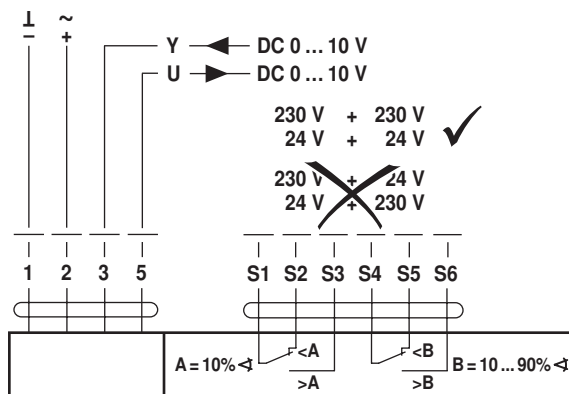
NRF24A-SR(-O)  
SRF24A-SR(-O)



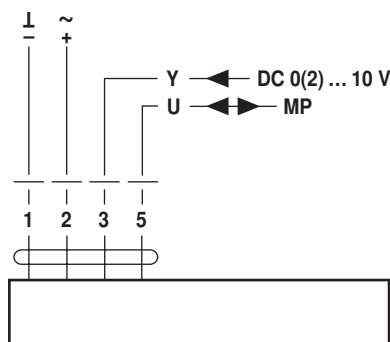
NRF24A-SZ(-O)  
SRF24A-SZ(-O)



NRF24A-SR-S2(-O)  
SRF24A-SR-S2(-O)



NRF24A-SZ-S2(-O)  
SRF24A-SZ-S2(-O)



NRF24A-MP(-O)  
SRF24A-MP(-O)

