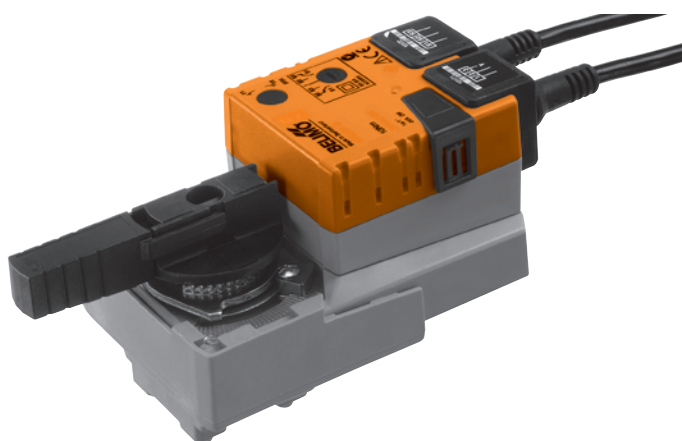


Rotary actuator
for 2- and 3-way (control) ball valves

- Torque 10 Nm
- Nominal voltage AC 100 ... 240 V
- Control: Open/close or 3-point
- with auxiliary switch



Technical data

Electrical data	Nominal voltage	AC 100 ... 240 V, 50/60 Hz	
	Nominal voltage range	AC 85 ... 265 V	
	Power consumption	In operation	2.5 W @ nominal torque
		At rest	0.4 W
		For wire sizing	5.5 VA
	Auxiliary switch	1 x SPDT, 1 mA ... 3 (0.5) A, AC 250 V II □ (0 ... 100% adjustable)	
	Connection	Motor	Cable 1 m, 3 x 0.75 mm ²
Auxiliary switch		Cable 1 m, 3 x 0.75 mm ²	
Parallel connection	Possible, note performance data		
Functional data	Torque (nominal torque)	Min. 10 Nm @ nominal voltage	
	Manual override	Gearing latch disengaged with pushbutton, can be locked	
	Running time	90 s / 90°↔	
	Sound power level	Max. 35 dB (A) (without the valve)	
	Position indication	Mechanical, pluggable	
Safety	Protection class	II totally insulated □	
	Degree of protection	IP54 in any mounting position NEMA 2, UL Enclosure Type 2	
	EMC	CE according to 2004/108/EC	
Low-voltage directive	CE according to 2006/95/EC		
Certification	cULus according to UL 60730-1A and UL 60730-2-14 and CAN/CSA E60730-1:02 Certified to IEC/EN 60730-1 and IEC/EN 60730-2-14		
Mode of operation	Type 1		
Rated impulse voltage	2.5 kV		
Control pollution degree	3		
Ambient temperature	0 ... +50 °C		
Media temperature	+5 ... +110 °C in (control) ball valve -10 °C with stem heating upon request		
Non-operating temperature	-40 ... +80 °C		
Ambient humidity	95% r.H., non-condensating		
Maintenance	Maintenance-free		
Dimensions / Weight	Dimensions	See «Dimensions» on page 3	
	Weight	Approx. 800 g	

Safety notes



- The actuator has been designed for use in stationary heating, ventilation and air conditioning systems and is not allowed to be used outside the specified field of application, especially in aircraft or in any other airborne means of transport.
- **Caution: Power supply AC 230 V !**
- It may only be installed by suitably trained personnel.
- All applicable legal or institutional installation regulations must be complied with.
- The switch for changing the direction of rotation may only be operated by authorized personnel. The direction of rotation must not be reversed in a frost protection circuit.
- The device may only be opened at the manufacturer's site. It does not contain any parts that can be replaced or repaired by the user.
- The cable must not be removed from the device.
- The device contains electrical and electronic components and is not allowed to be disposed of as household refuse. All locally valid regulations and requirements must be observed.

Product features

Simple direct mounting	Straightforward direct mounting on the ball valve with only one screw. The assembly tool is integrated in the plug-on position indicator. The mounting position in relation to the ball valve can be selected in 90° steps.
Manual override	Manual override with push-button possible (the gear is disengaged for as long as the button is pressed or remains locked).
Adjustable angle of rotation	Adjustable angle of rotation with mechanical end stops.
High functional reliability	The actuator is overload-proof, requires no limit switches and automatically stops when the end stop is reached.
Flexible signalization	Flexible signalization with adjustable auxiliary switch (0 ... 100%).

Accessories

	Description	Data sheet
Electrical Accessories	Auxiliary switch S..A..	T2 - S..A..
	Feedback potentiometer P..A..	T2 - P..A..

Electrical installation

Wiring diagrams

Notes

- Caution: Power supply AC 230 V !
- Parallel connection of other actuators possible. Note performance data.
- Direction of rotation switch is covered. Factory setting: Direction of rotation Y2.



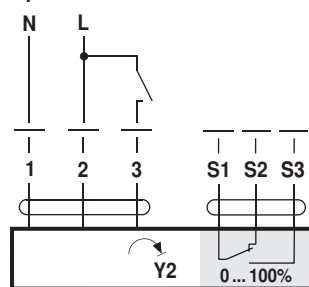
Direction of rotation



Auxiliary switch



Open-close control

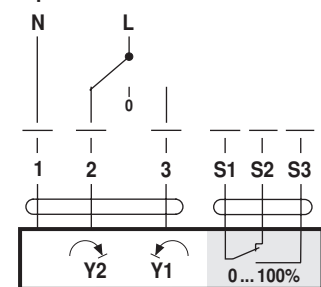


Cabel colours:

- 1=blue
- 2=braun
- 3=white
- S1=violet
- S2=red
- S3=white

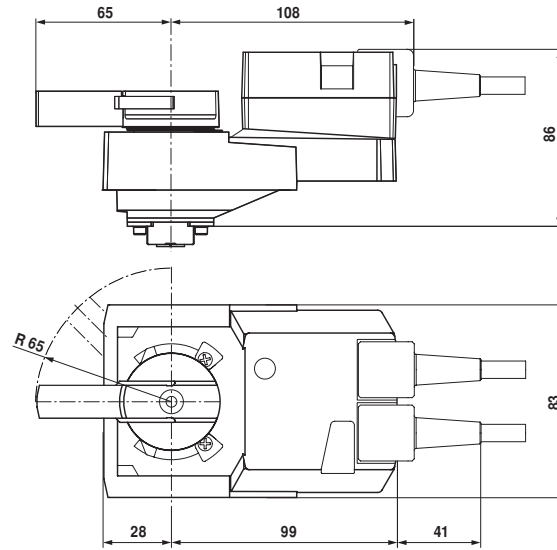
Actuator	valve
Y2	A - AB = 0%

3-point control



Dimensions [mm]

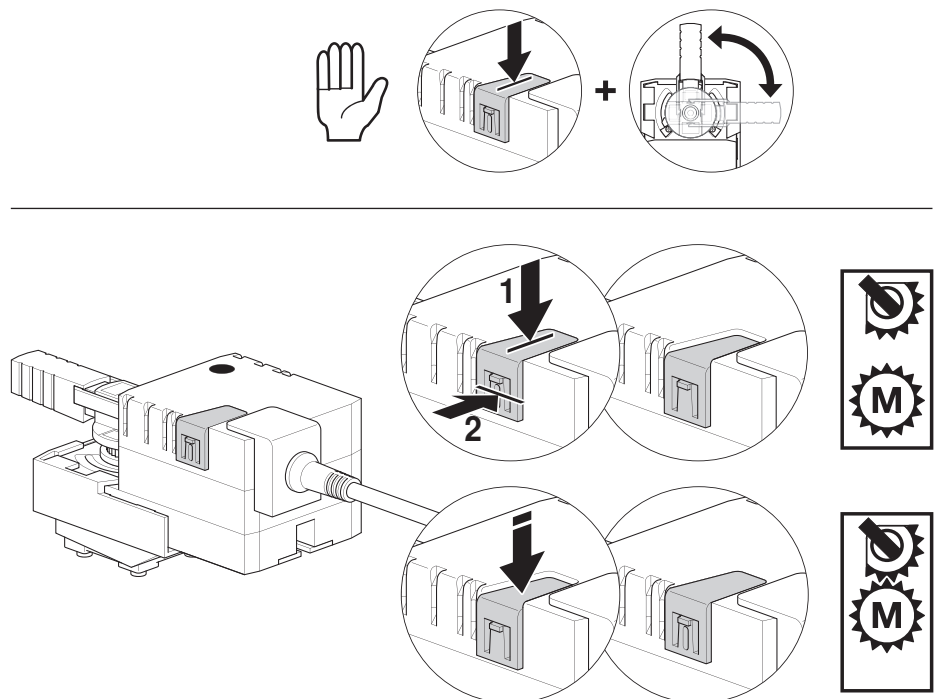
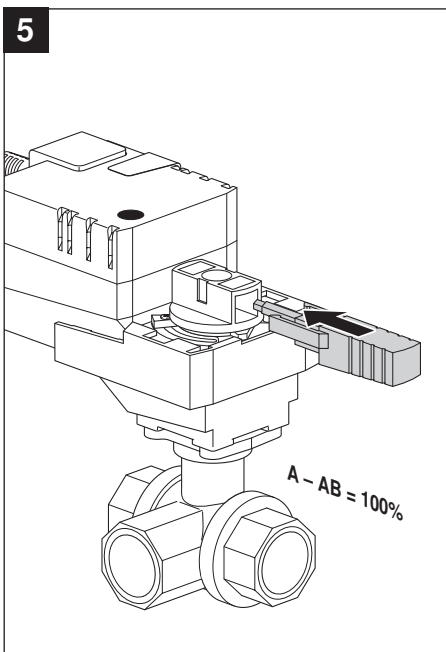
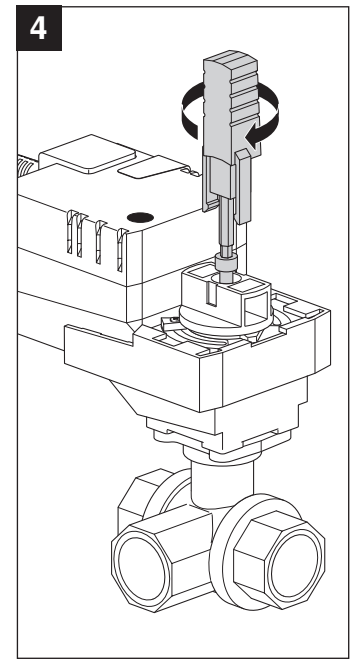
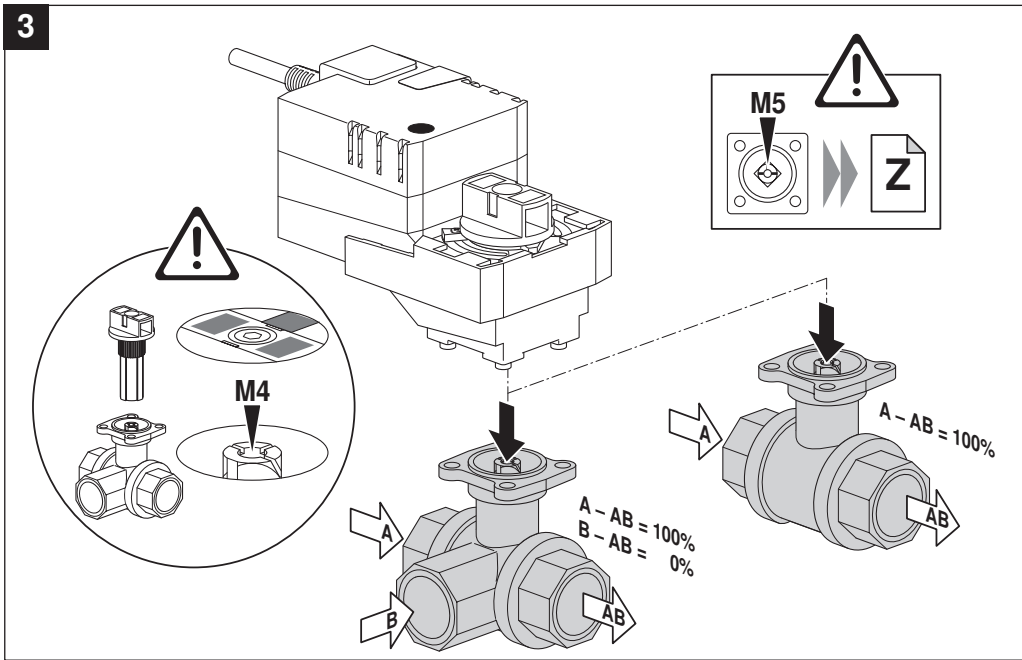
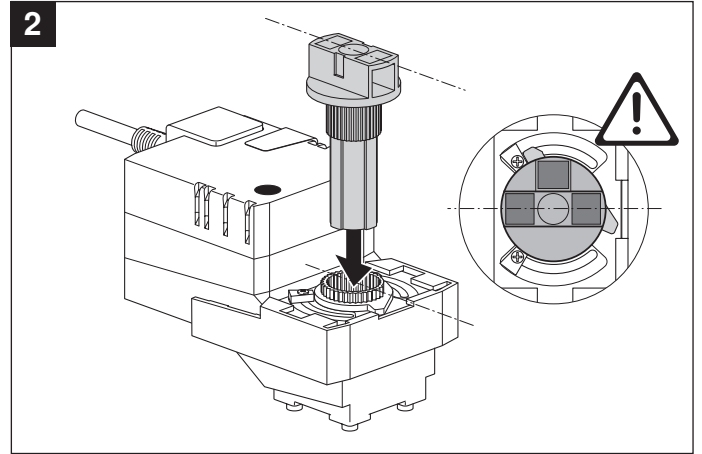
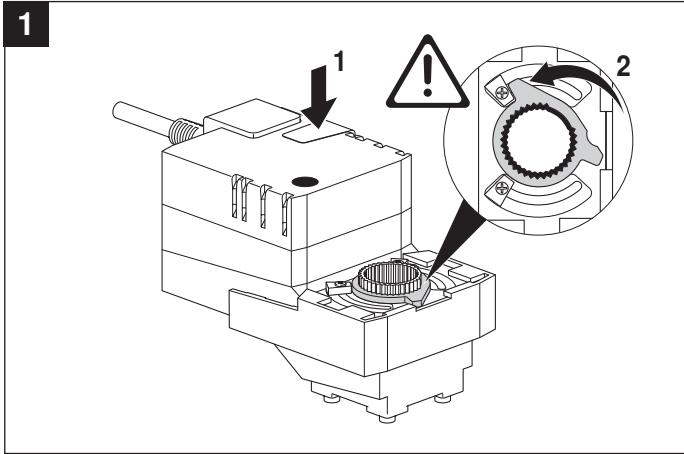
Dimensional drawings

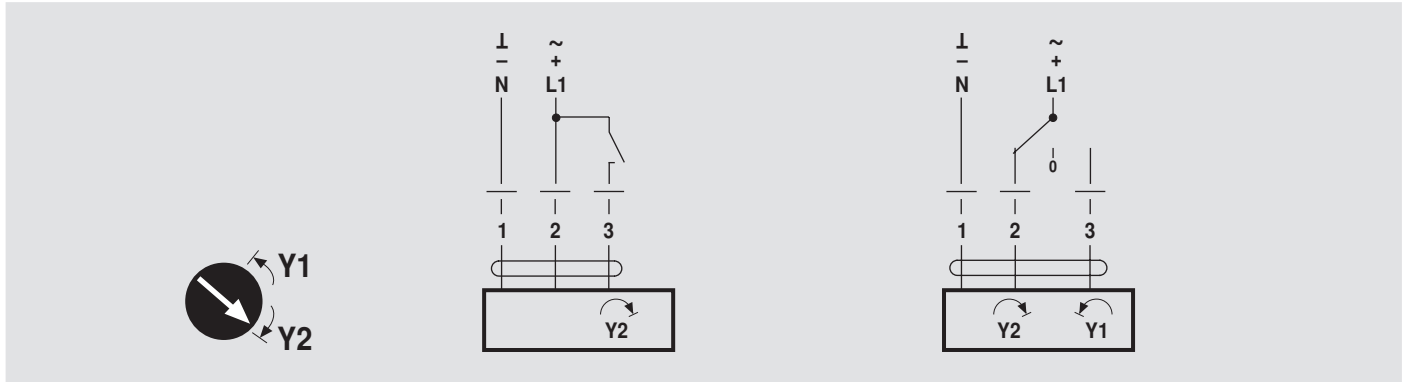


Further documentations

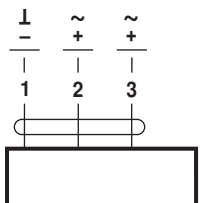
- Complete overview «The complete range of water solutions»
- Data sheets for control ball valves
- Installation instructions for actuators and/or control ball valves
- Notes for project planning (hydraulic characteristic curves and circuits, installation regulations, commissioning, maintenance etc.)

70741-00001.D

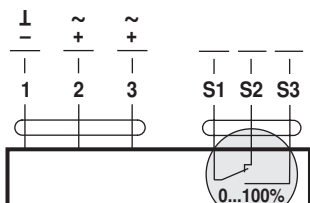




AC 24 V / DC 24 V

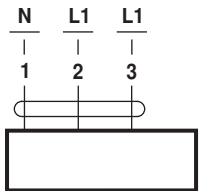


LR24A NR24A
SR24A

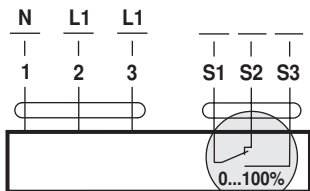


LR24A-S NR24A-S
SR24A-S

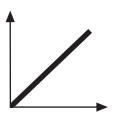
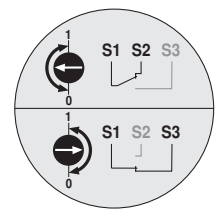
AC 100 ... 240 V ⚠



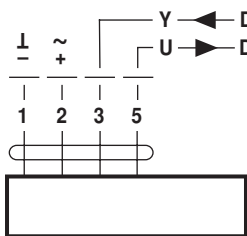
LR230A NR230A
SR230A



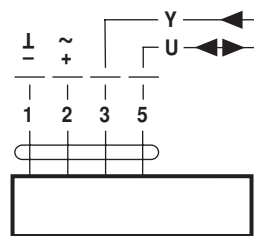
LR230A-S NR230A-S
SR230A-S



AC 24 V / DC 24 V



TRC24A-SR LR24A-MF
LR(C)24A-SR NR24A-MF
NR(C)24A-SR SR24A-MF
SR24A-SR



LR24A-MP NR24A-MP
SR24A-MP

LONWORKS[®] AC 24 V / DC 24 V

